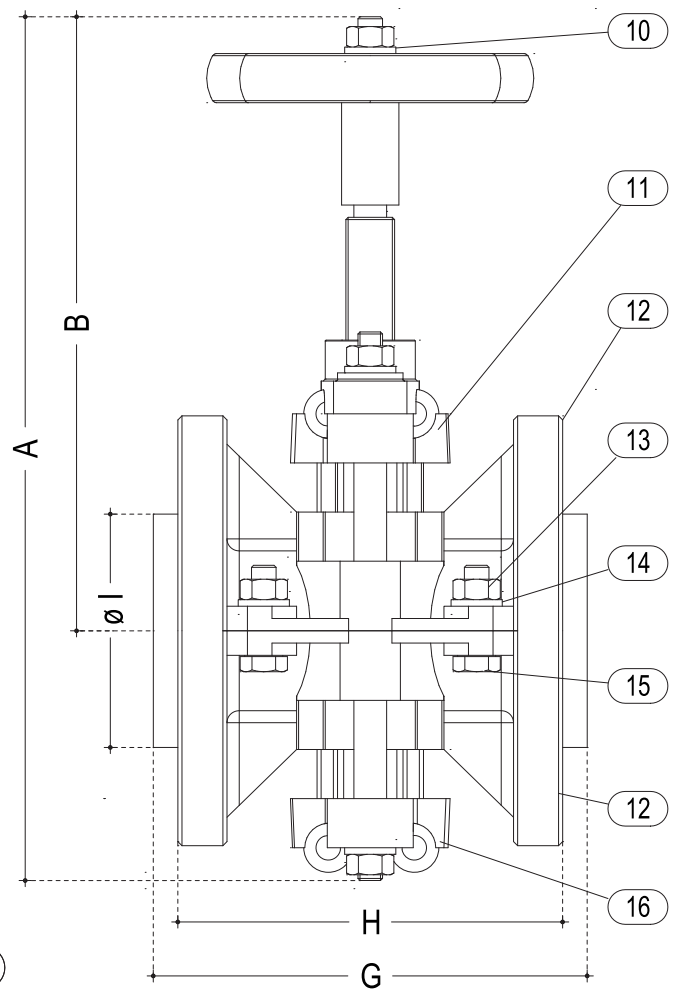
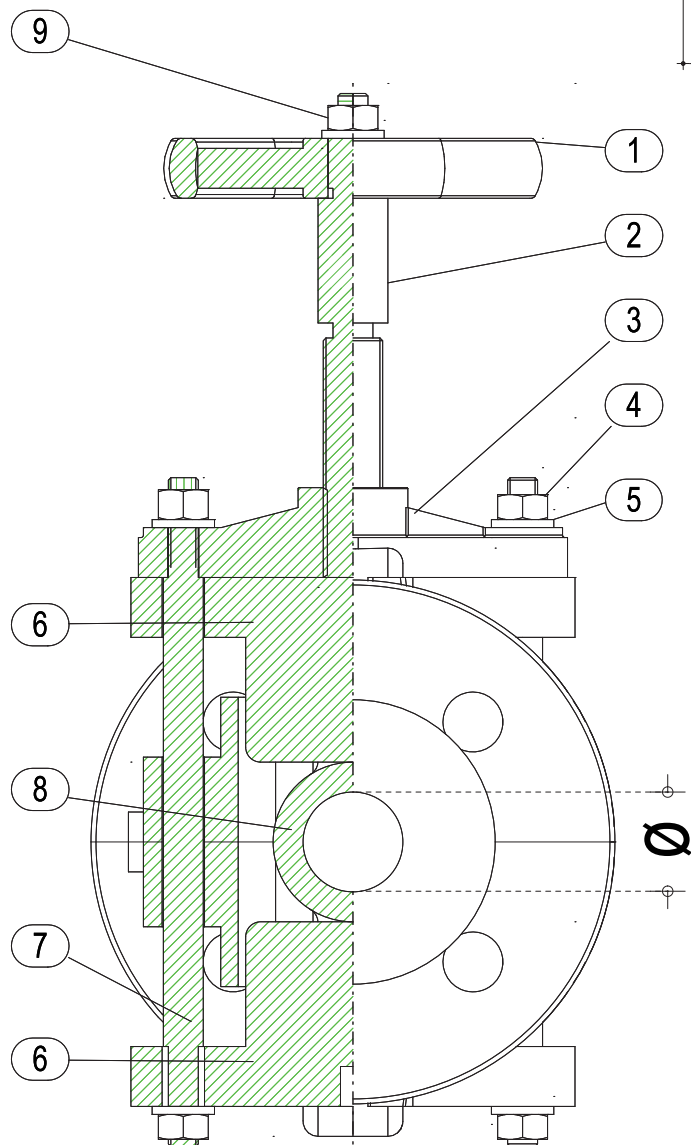


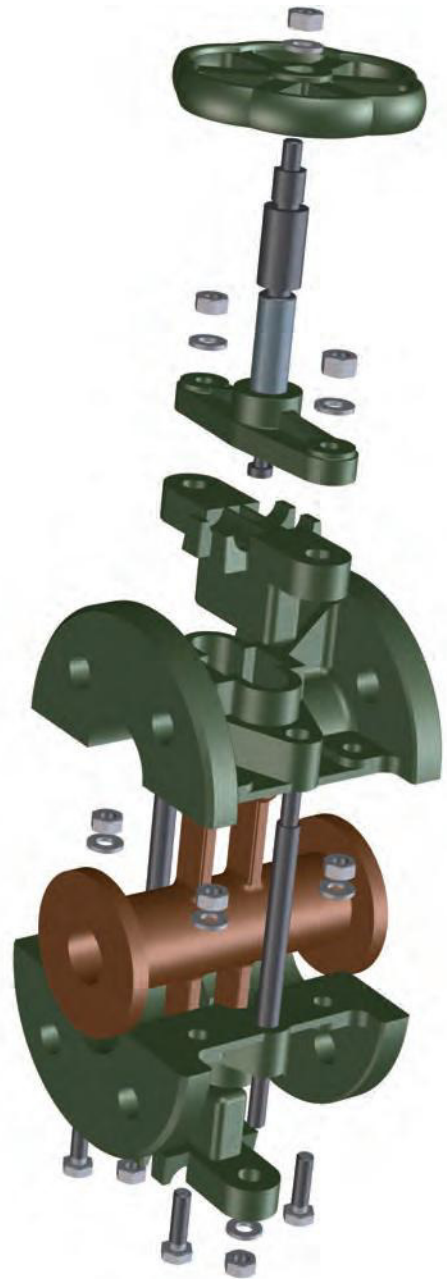
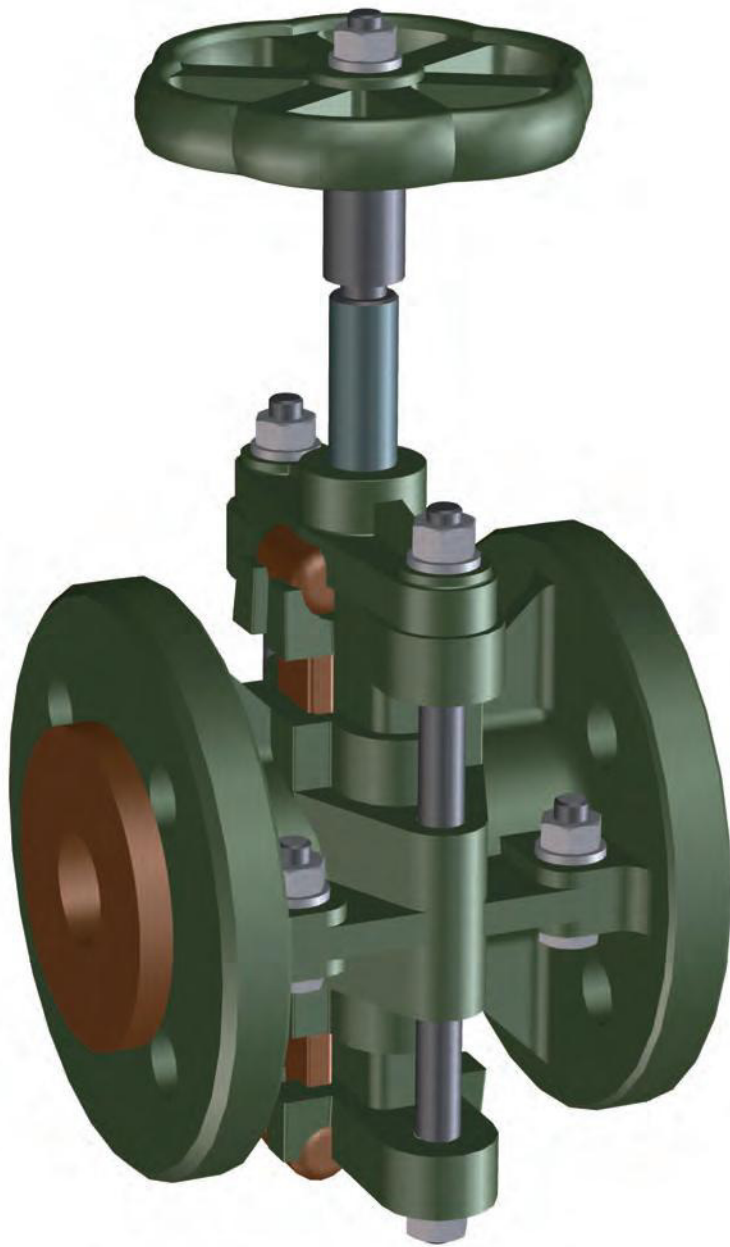
Model GS1

PINCH VALVES



DETAILS

1	WHEEL
2	LEAD SCREW
3	SUPPORT
4	HEXAGON NUT
5	WASHER
6	PLUG
7	TIE ROD
8	RUBBER SLEEVE
9	HEXAGON NUT
10	WASHER
11	UPPER RETURN BUSHING BRONZE
12	VALVE BODY
13	HEXAGON NUT
14	WASHER
15	HEXAGON BOLT
16	LOWER RETURN BUSHING



PRESSURE DETAILS UNI_1284

DN	P.N.	HYDRAULIC TEST kg/cm ²		WORKING PRESSURE kg/cm ²
		OPEN	CLOSE	
10	5	10	5	4
15	5	10	5	4
20	5	10	5	4
25	5	10	5	4
30	5	10	5	4
40	5	10	5	4
50	5	10	5	4
60	5	10	5	4
70	5	10	5	4
80	5	10	5	3
90	5	10	5	3
100	4	10	4	3
125	4	10	4	3
150	4	8	4	3
175	4	8	4	3
200	4	8	4	3

WEIGHT KG

ALUMINIUM	C.I.
0,600	1,000
0,800	1,500
1,300	3,000
1,800	3,600
2,800	5,600
4,000	8,000
5,000	10,300
6,500	13,600
7,600	15,000
9,200	18,000
15,000	28,000
14,500	26,600
22,000	40,000
27,000	51,000
37,000	67,000
41,400	72,000

DIMENSIONS

Ø	A	B	G	H	I
10	145	100	73	65	50
15	165	115	92	80	50
20	210	150	107	95	58
25	230	160	118	106	60
30	255	178	130	115	78
40	305	212	154	140	88
50	335	233	176	160	102
60	355	245	194	180	130
70	390	260	206	190	137
80	420	280	215	196	148
90	490	320	250	232	178
100	500	330	275	260	158
125	630	415	300	280	198
150	680	445	330	300	222
175	765	500	355	335	280
200	840	550	375	350	298

NOTE: For different pressure details please ask the DPT