

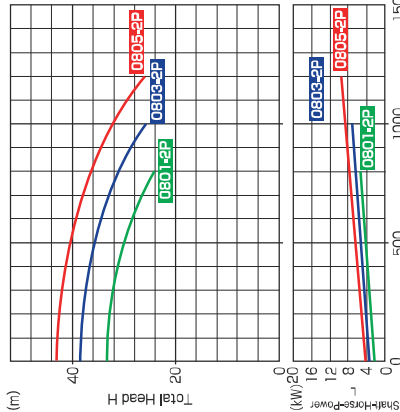
MEP-080 Series (Suction 80A X Discharge 65A)



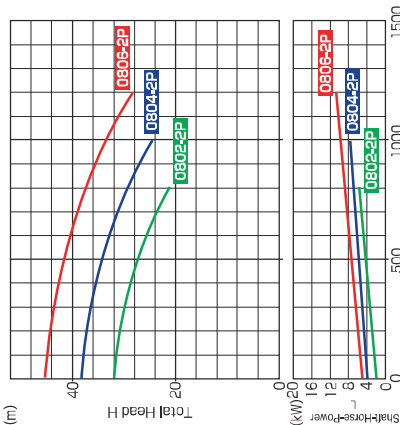
Pump Specifications

- Operating Temperature: 0-80°C
- Rotation Direction: Clockwise (view from the motor)
- Flange: JIS 10K RF (Please consult us about ANSI/DIN standard.)
- Motor: Munsell 2.5B/4 (8/pump body)
- Accessories: IEC Flanged Inverter motor, Foundation bolts (M12 x 160 x 50b)

50Hz Capacity Range & Technical Data



60Hz Capacity Range & Technical Data



Model	Capacity (l/min)	Total Head (m)	NPSH Re (m)	Motor Output (kW)
MEP-0801	28	3.0	3.2	5.5
MEP-0802	30	4.0	4.3	7.5
MEP-0803	30	5.4	5.9	11
MEP-0804	29	4.3	7.5	11
MEP-0805	1040	3.2	5.5	11
MEP-0806	1030	4.3	7.5	11
MEP-0807	1030	5.9	11	11
MEP-0808	1030	3.2	5.5	11

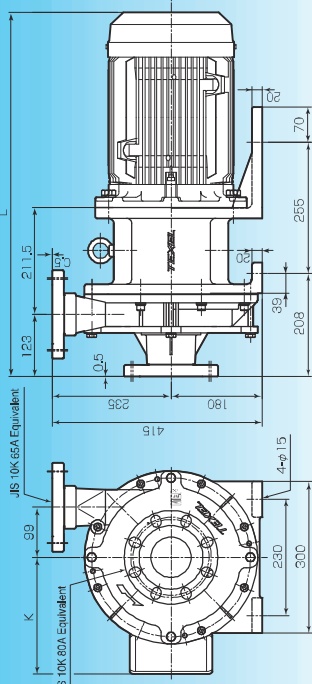
Pump Identification

MEP-080 1 F 07 A A F N 1

- 1 Model
- 2 Suction Size
- 3 Model Number
- 4 Flange
- 5 Finish
- 6 Motor
- 7 Accessories
- 8 Shaft
- 9 Front Thrust Ring
- 10 Rear Thrust Ring
- 11 Mouth Ring
- 12 Bearing
- 13 C-PTFE (Standard)
- 14 Carbon
- 15 C-PTFE
- 16 Carbon
- 17 Other Combinations or Special Option
- 18 Flange type
- 19 N : Screw Type
- 20 With Drain / Without Drain
- 21 N : Without the Drain
- 22 D : With the Drain
- 23 Classification of impeller diameter
- 24 Show will arrange it

Type	Casing	Impeller	Inner Magnet	Drain	Rear Casing	PP	G-PP
A	G-PP	G-PP	G-PP	PP	PP	PP	G-PP

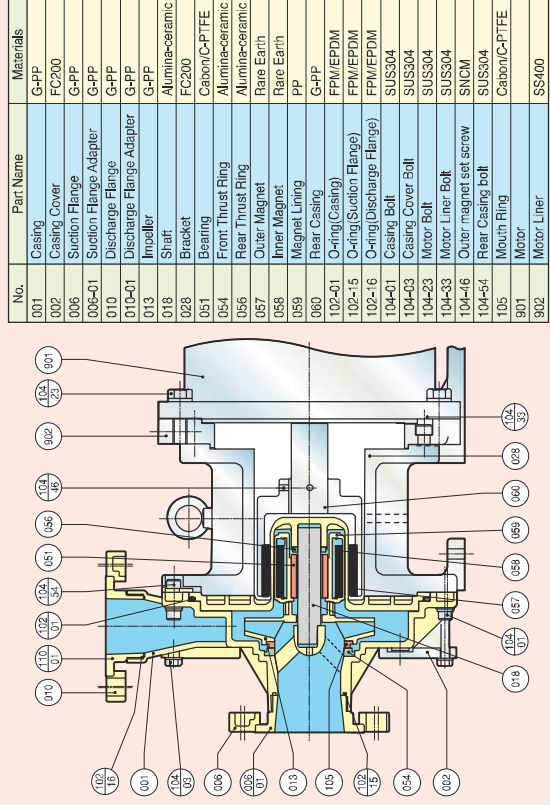
Dimensions



Motor Output	K	L	Weight (kg)
5.5kW	(231)	(720)	51
7.5kW	(255)	(848.5)	
TKW			

Note : ① In indicates (circles) a numeral of parenthesis is reference value.
② The weight of pump is not include motor weight.

Construction Diagram



No.	Part Name	Materials
001	Casing	G-PP
002	Casing Cover	FC200
006	Suction Flange	G-PP
006-01	Suction Flange Adapter	G-PP
010	Discharge Flange	G-PP
010-01	Discharge Flange Adapter	G-PP
013	Impeller	G-PP
018	Shaft	Alumina-ceramic
028	Bracket	FC200
054	Front Thrust Ring	Alumina-ceramic
056	Rear Thrust Ring	Alumina-ceramic
057	Outer Magnet	Rare Earth
058	Inner Magnet	PP
059	Magnet Lining	G-PP
060	Rear Casing	PP
102-01	O-ring (Casing)	PPM/EPDM
102-15	O-ring (Suction Flange)	PPM/EPDM
102-16	O-ring (Discharge Flange)	PPM/EPDM
104-01	Casing Bolt	SUS304
104-03	Casing Cover Bolt	SUS304
104-23	Motor Bolt	SUS304
104-33	Motor Liner Bolt	SUS304
104-16	Outer magnet set screw	SNiCM
104-54	Rear Casing bolt	SUS304
105	Mouth Ring	Carbon/C-PTFE
901	Motor	
902	Motor Liner	SS400