

DEPA-Pulsation dampener



DEPA-Pulsation dampener

A double diaphragm pump produces a natural pulsating flow, which is not acceptable in many production processes. Wherever this condition cannot be tolerated – for technical reasons in the system – the use of a pulsation dampener is recommended. The device is installed directly downstream from the discharge port of the pump, which then acts against the air cushion which is present in the pulsation dampener. The delivery stream is thus rendered uniform. Various versions are available; active and passive, metal and non-metallic, with and without diaphragm, in several different sizes. The series PD was developed to match the diaphragm pump series DL (many common component parts), therefore matching these units to selected pumps and conveyed media is feasible without difficulty.

All series PD are installed in-line which reflects a free-flow characteristic enabling quick and simple cleaning. No dead space where product could be trapped. The food service models can be “cleaned in place” (CIP). Ideally suited for abrasive, viscous and shear sensitive media.

The PD “active” dampeners are fed with compressed air from the same feed line as the pump (see installation diagram). Their operation is fully automatic, even under variable working conditions. They adapt automatically to variations in pumping pressure and air supply pressure and adjust to provide optimum operation. As the pumps, the PD’s are absolutely maintenance free, require no lubrication, thus no

danger of contaminating the conveyed media with lubricant (critical in the food and similar industries).

Advantages at a glance:

- Excellent dampening effect
- In-line installation
- Self-adjusting for optimum operation
- Free-flow design for quick and easy cleaning
- Wide selection of materials available to meet most every requirement
- Excellent CIP cleaning characteristics
- Ideal for abrasive, viscous, shear sensitive and products containing solids
- Small in size
- Models for all pump sizes available
- Recommended spare parts are common component parts in DL pumps
- Maintenance-free
- Vertical or horizontal installation

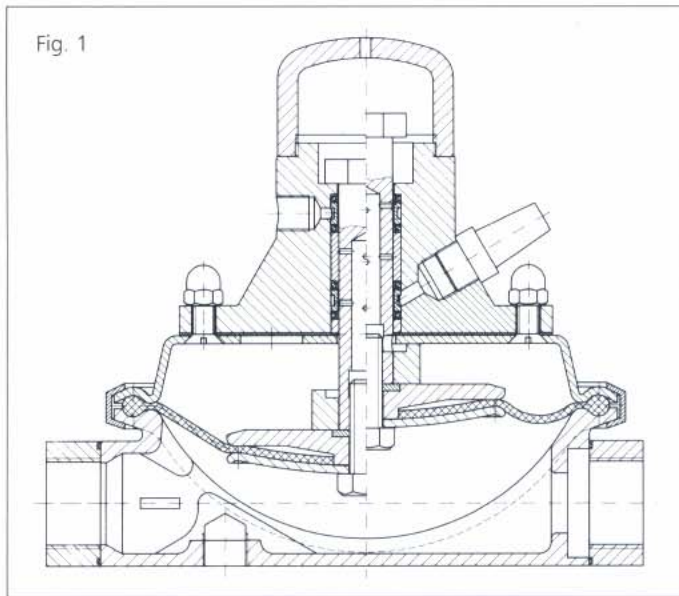
Standard versions and materials of construction

PD 40			— CA —				E	
Series			Major Subassemblies				Diaphragm	
Standard		PD	Housing	Wetted piston	Center block			
Stainless steel USDA approved		PH	Cast aluminium	Steel	Cast aluminium	AA	CR (Neoprene)	C
			Cast aluminium	Stainless steel	Cast aluminium	FA	NBR (Buna N)	N
			Ductile iron	Steel	Cast aluminium	CA	EPDM (Nordel)	E
			Cast stainless steel	Stainless steel	Cast aluminium	SA	EPDM Grey	G
			Cast stainless steel	Stainless steel	Bronze	SX	FKM (Viton)	F
			Polished stainless steel	Polished stainless steel	Polished Aluminium	SL	PTFE (Teflon)	T
			PP	PP	Metallic	PP	EPDM Grey for series PH	U
			PP electr. conductive (Ex)	PP electr. conductive (Ex)	Metallic	PL	PTFE for series PH	P
			PTFE	PTFE	Metallic	PT		
			PTFE electr. conductive (Ex)	PTFE electr. conductive (Ex)	Metallic	TL		

SIZES		
Connections 1/2",	DN 15	15
Connections 1",	DN 25	25
Connections 1 1/2",	DN 40	40
Connections 2",	DN 50	50
Connections 3",	DN 80	80

The DEPA-Pulsation dampener function

DEPA-Pulsation dampeners are developed for simple in-line installation. The pulsating flow of the discharged media forces the diaphragm upwards and reacts against the air cushion in the air chamber.



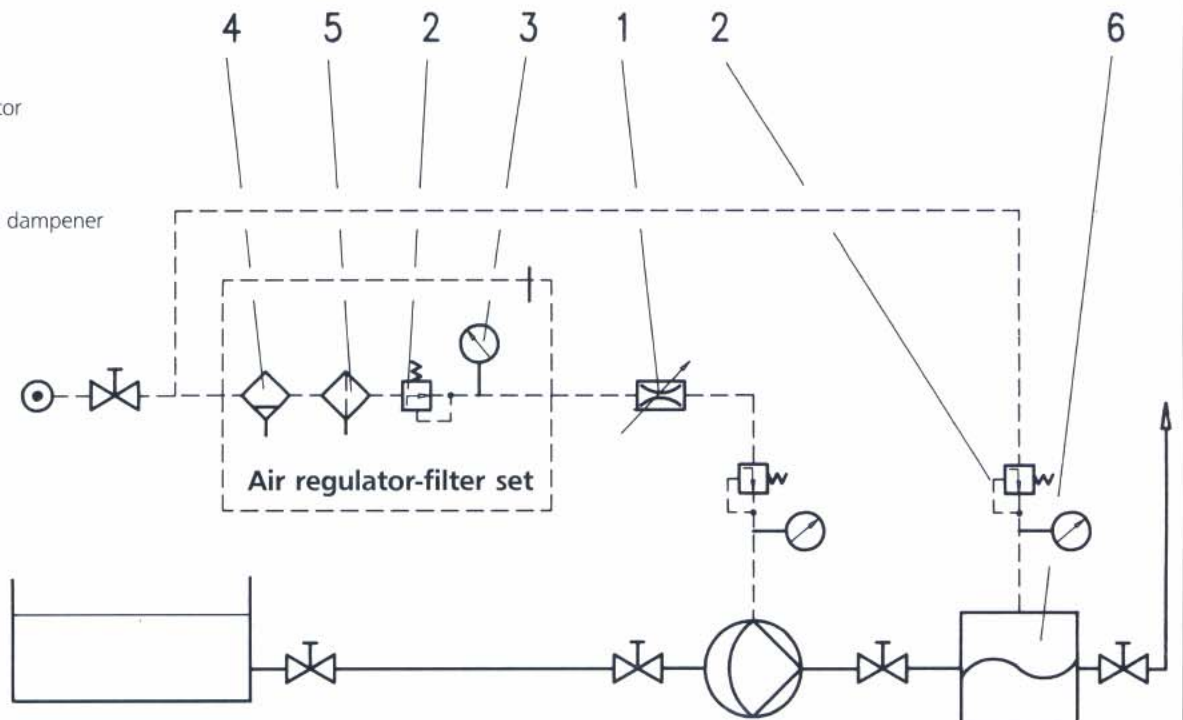
A reduction in discharge pressure in the discharge piping, on the other hand, causes the diaphragm to return back to its down position. Because of this the diaphragm flexes in a mid-range position absorbing discharge pulsations, adjusts automatically even under variable working conditions. This means that the active pulsation dampener under normal conditions has a minimum air consumption. When additional pressure is required it is automatically feed to the air inlet, excessive is discharged thru the exhaust.

The efficiency of a pulsation dampener depends strongly on many factors. Some of which include, piping system, viscosity, stroke frequency and discharge pressures encountered on site, with many applications it is necessary that tests be made on site to determine the optimum system pressures.

Under these conditions it is recommended that the installation (see diagram) of the pulsation dampener be as close as possible to the discharge port of the pump. The PD can be installed vertical or horizontal.

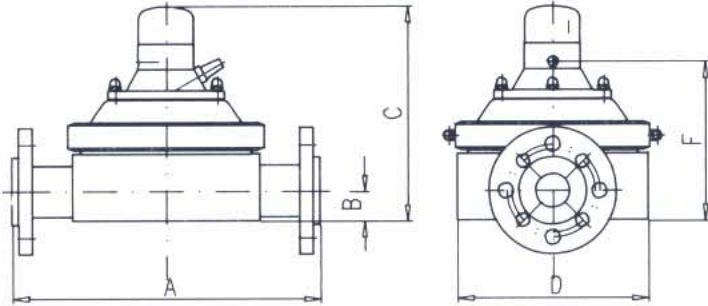
Recommended installation diagram

- 1 Needle valve
- 2 Pressure regulator
- 3 Pressure gauge
- 4 Separator
- 5 Filter
- 6 Active Pulsation dampener



Dimensions, Weights and Temperatures

Series PP/PL/PT/TL

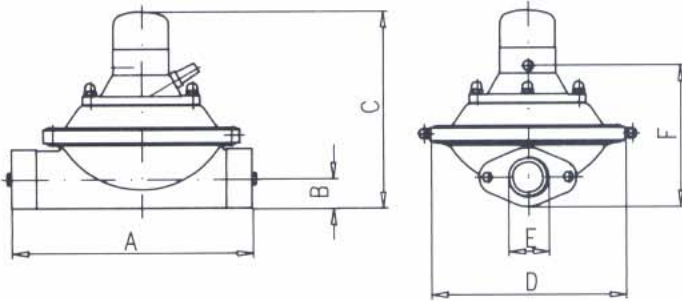


	Non-metallic			size	
	PD15	PD25	PD40	PD50	PD80
A	110	268	362	418	514
B	21	27	35	55	74
C	170	207	252	342	418
D	135	196	230	306	380
E	1/2"	DN 25	DN 40	DN 50	DN 80
F	100	142	187	267	343

weight in kg

PP/PL	2	4	6	11	20
PT/TL	3	5	9	19	

Series AA/FA/CA/SA

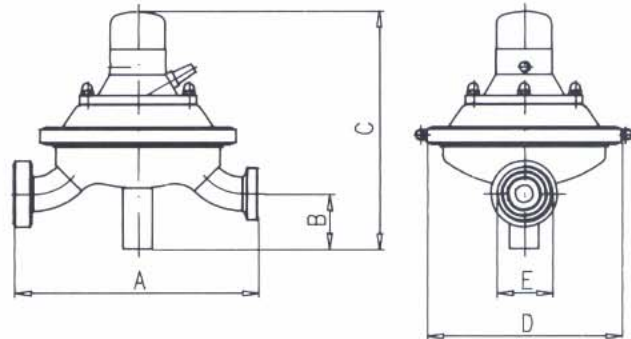


	metal			size	
	PD15	PD25	PD40	PD50	PD80
A	170	231	283	395	495
B	17	23	35	47	60
C	130	195	232	321	367
D	135	196	230	306	380
E	1/2"	1"	1 1/2"	2"	3"
F	110	130	197	245	292

weight in kg

AA/FA	1	3	5	10	18
CA/SA		4	7	15	32

Series SL/UL



	Polished stainless steel			size	
	PD15	PD25	PD40	PD50	PD80
A	200	210	275	330	384
B	35	110	60	80	110
C	160	260	280	420	460
D	145	190	230	300	380
E*	DN 15	DN 25	DN 40	DN 50	DN 80
	DIN 11851 milk connections				

weight in kg

SL/UL	3	6	10	17	26
-------	---	---	----	----	----

all dimensions in mm

* optional TRI-clamps are available on request

Max. operating temperatures	°C
Pulsation dampener in PP	60
In PTFE/Metal with Diaphragms NBR, EPDM, CR FKM, PTFE	80 120

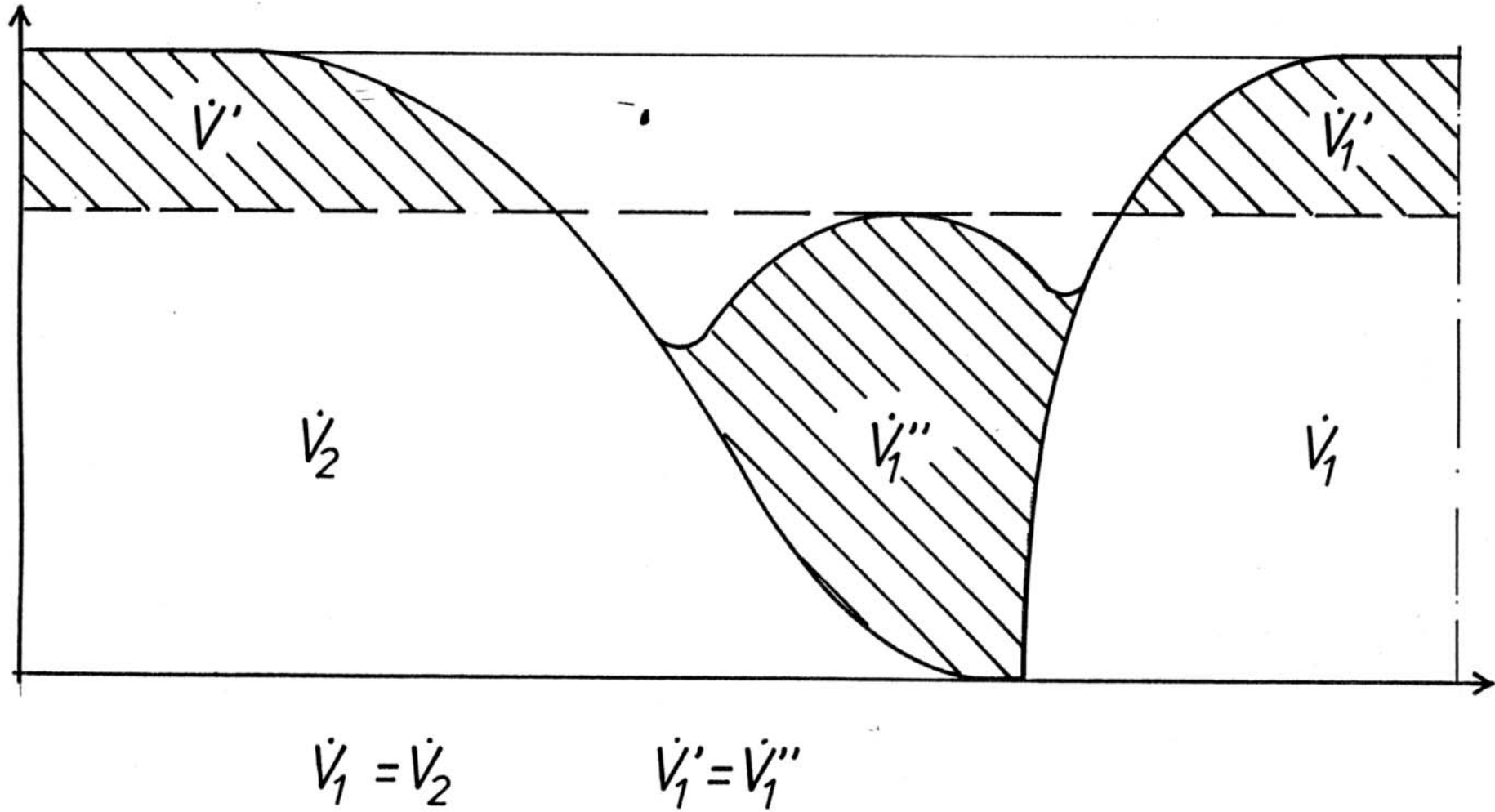
Crane Process Flow Technologies GmbH

P.O.-Box 11 12 40
D-40512 Düsseldorf
Heerdter Lohweg 63-71
D-40549 Düsseldorf
Phone +49 211 5956-0
Fax +49 211 5956-111
www.craneflow.de

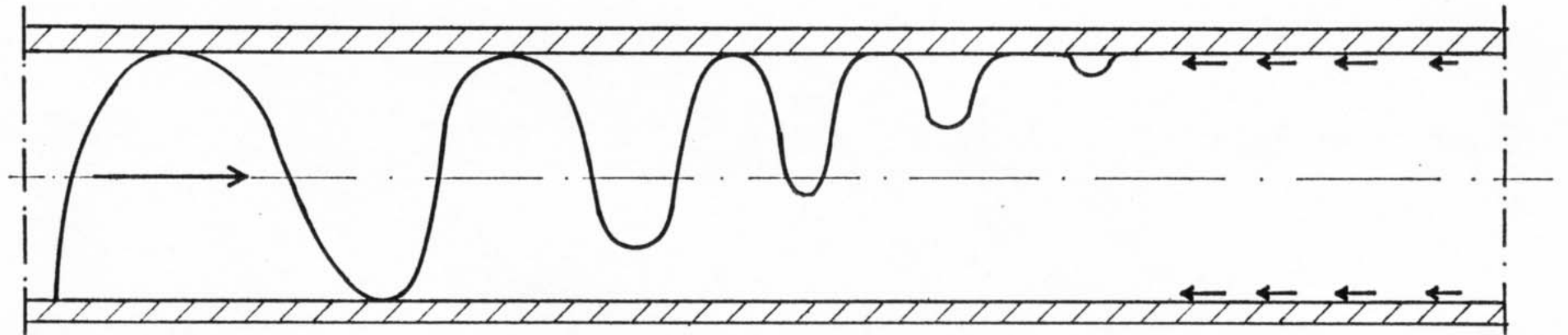
Subject to change without notice.

We reserve the right to change technical specifications in this information sheet.

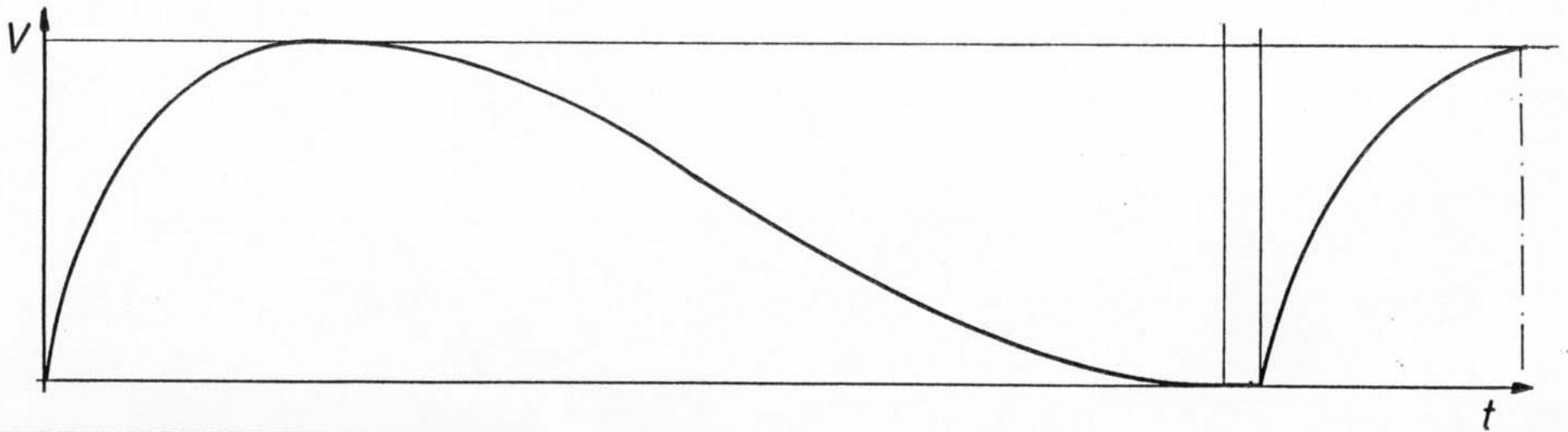
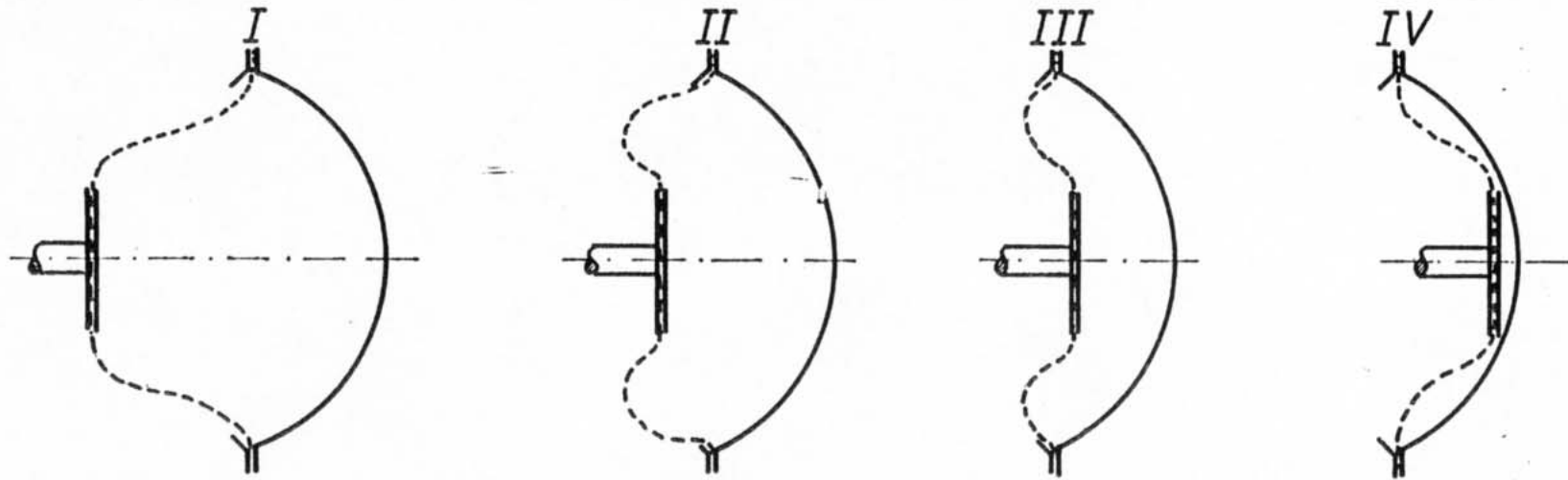
Pulsation dampener method of operation

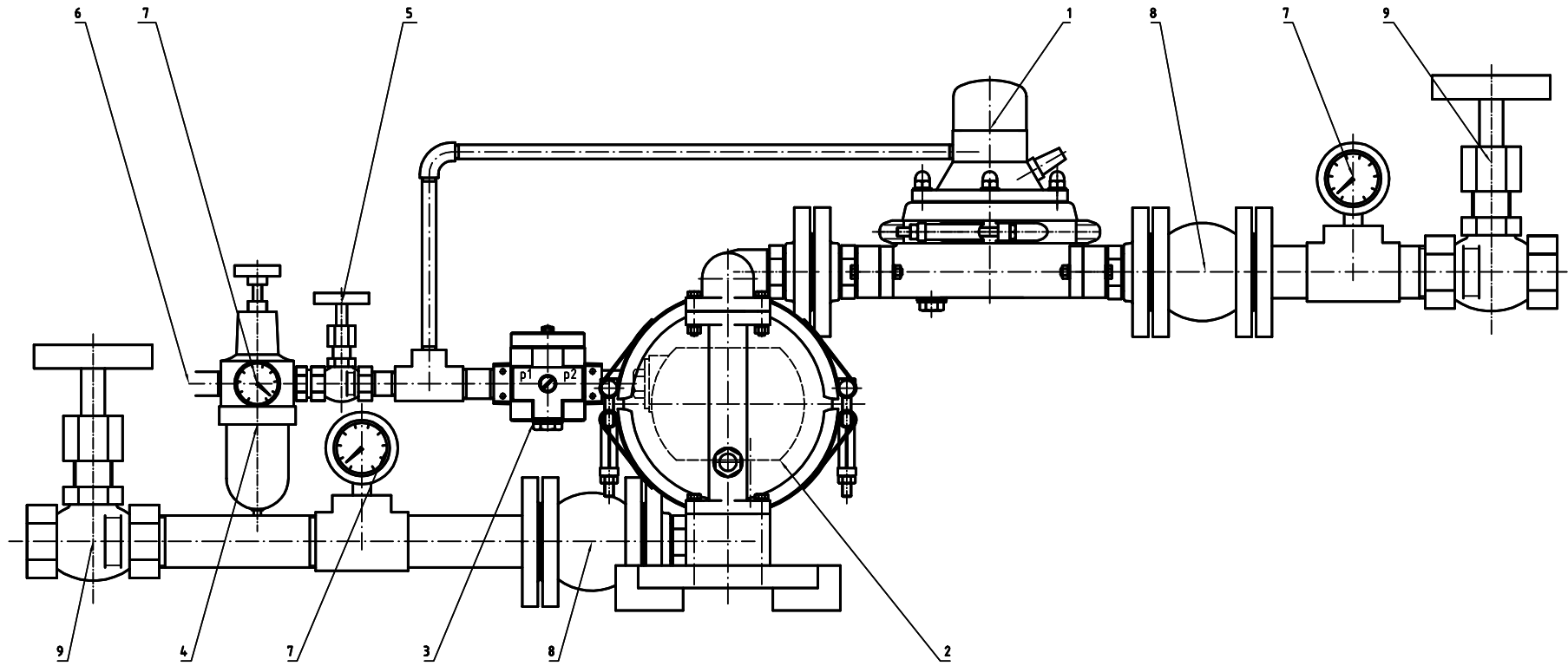


Pulsation in a long horizontal pipe



Pulsation development stages
in an
Air Driven Diaphragm Pump





Legende

- 1. Pulsationsdämpfer
- 2. Druckluft-Membran-Pumpe
- 3. Anlaufventil (Druckaufbauventil)
- 4. Druckminderer
- 5. Nadelventil
- 6. Luftzufuhr
- 7. Manometer
- 8. Flexible Verbindung
- 9. Absperrhahn

Allgemeinreferenz General Reference		Oberfläche Surface		Maßstab Scale		Urheber- und Urheberrechtlich geschützt Copyright Protection According To DRG 34	
DN ISO 2148-8		DN ISO 5182		1:2		DRG 4 Methode 1	
Datum/Date		Name		Bezeichnung / Description		Verfahren / Drawing - No.	
07.01.83		Pranten		Verschlag zum Anschluß einer DL-Pumpe mit Pulsationsdämpfer		1	
Hersteller/Manufacturer		Name		Ersatz Nr. / Replacement No.		1	
CRANE		10000017.040		15		1	

Operation and installation
Instructions for "Active"
pulsation dampeners

- 1.) The pulsation dampener should be installed in horizontal position in the discharge piping as close to the pump as possible. Install a ball valve as in sketch after the active pulsation dampener.
- 2.) The same compressed air line to the pump can be used for connection to the pulsation dampener. But each should have its own pressure regulator.
- 3.) Start pump as described in the operations manual until desired pressure is reached.

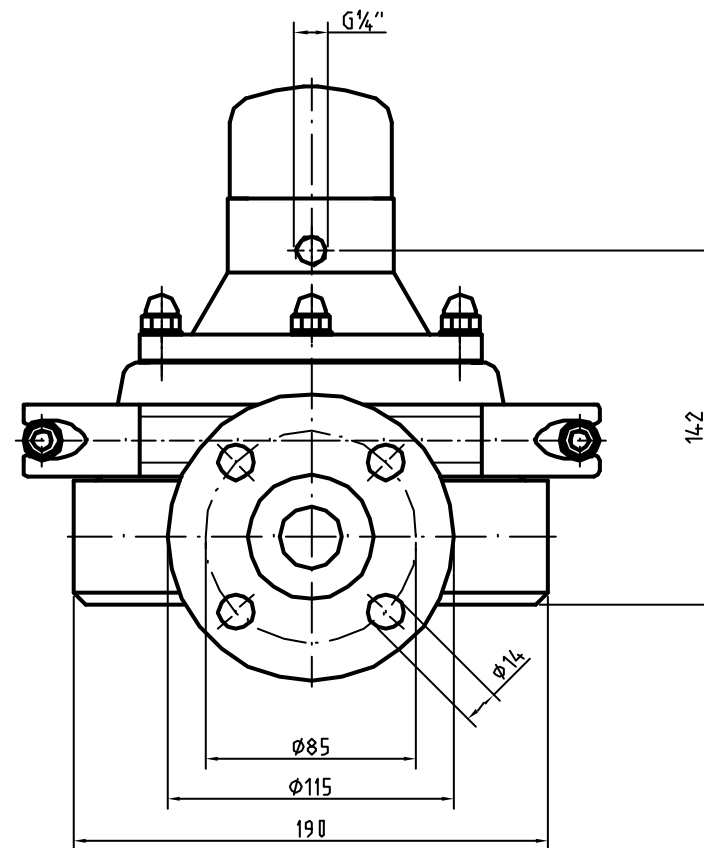
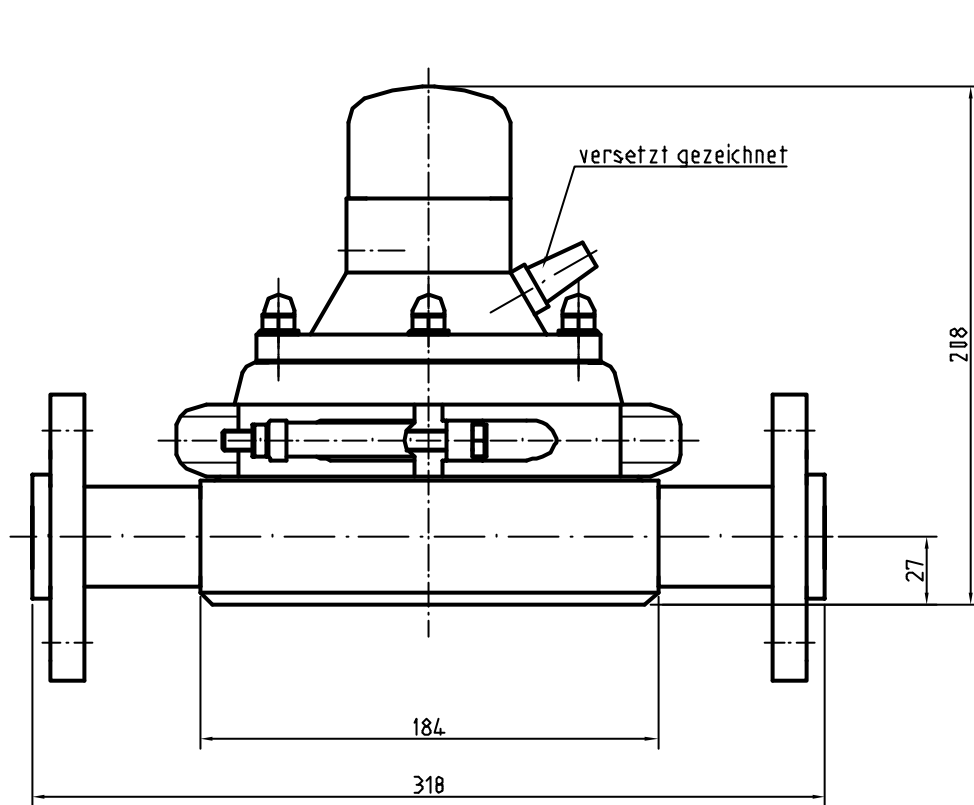
Open the regulation valve before the pulsation dampener until the pulsation dampener is fully under system pressure.


The pulsation dampener inlet pressure should be set (via regulator) at appr. 0,4 - 0,6 bar (6 - 9 PSI) under the discharge pressure of the pump.

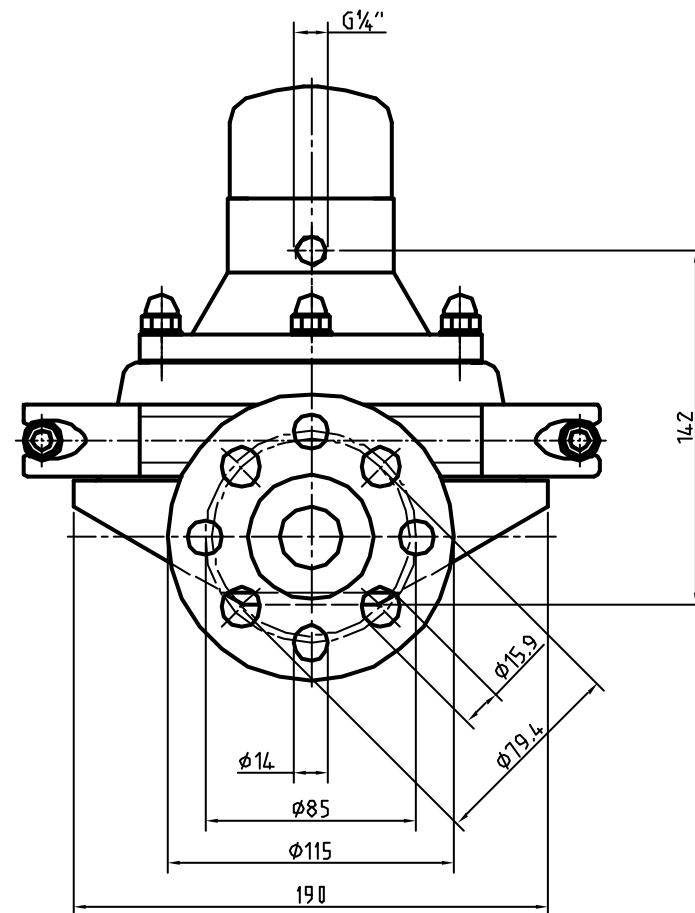
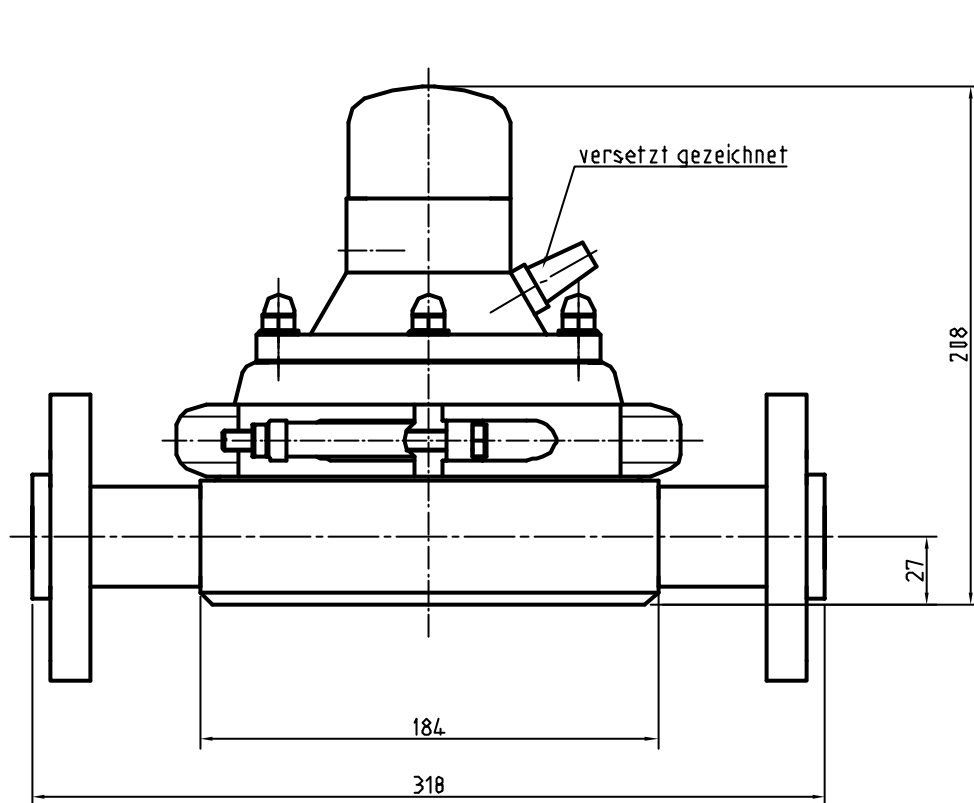
Some operations may require a manual re-setting of the ball valve or the pulsation dampeners inlet pressure from time to time.

- 4.) If the pump line pressures change the active pulsation dampener will re-set automatically to optimize the dampening effect.
- 5.) Because many production processes are constantly changing and because of lack of technical data on new processes the above are just recommendations based on our past experience.

Which many applications it is frequently necessary that tests be made on site to determine the optimal system pressures.



 Process Flow Technologies A Division of Grane		Freimaßtoleranz Oberfläche	<input type="checkbox"/> Maße werden besonders geprüft. Kanten 1:3x45° gebrochen
		Maßstab 1:2	Gewicht
		Datum Bearb. 17.18.1999 fz Gepr. Norm	Bereinigung Pulsationsdämpfer PD25-PP/PL mit PVC-Flansch
		Für diese Zeichnung behält wir uns nach DIN 34 alle Rechte vor	Zeichnungsnummer 03-2225-0002
Werkstoff	Artikelnummer	Dateiname 22250112.dwg	Blatt BK
		Ersatz für	
CAD - Zeichnung! Nur EDV - gestützt bündeln!			

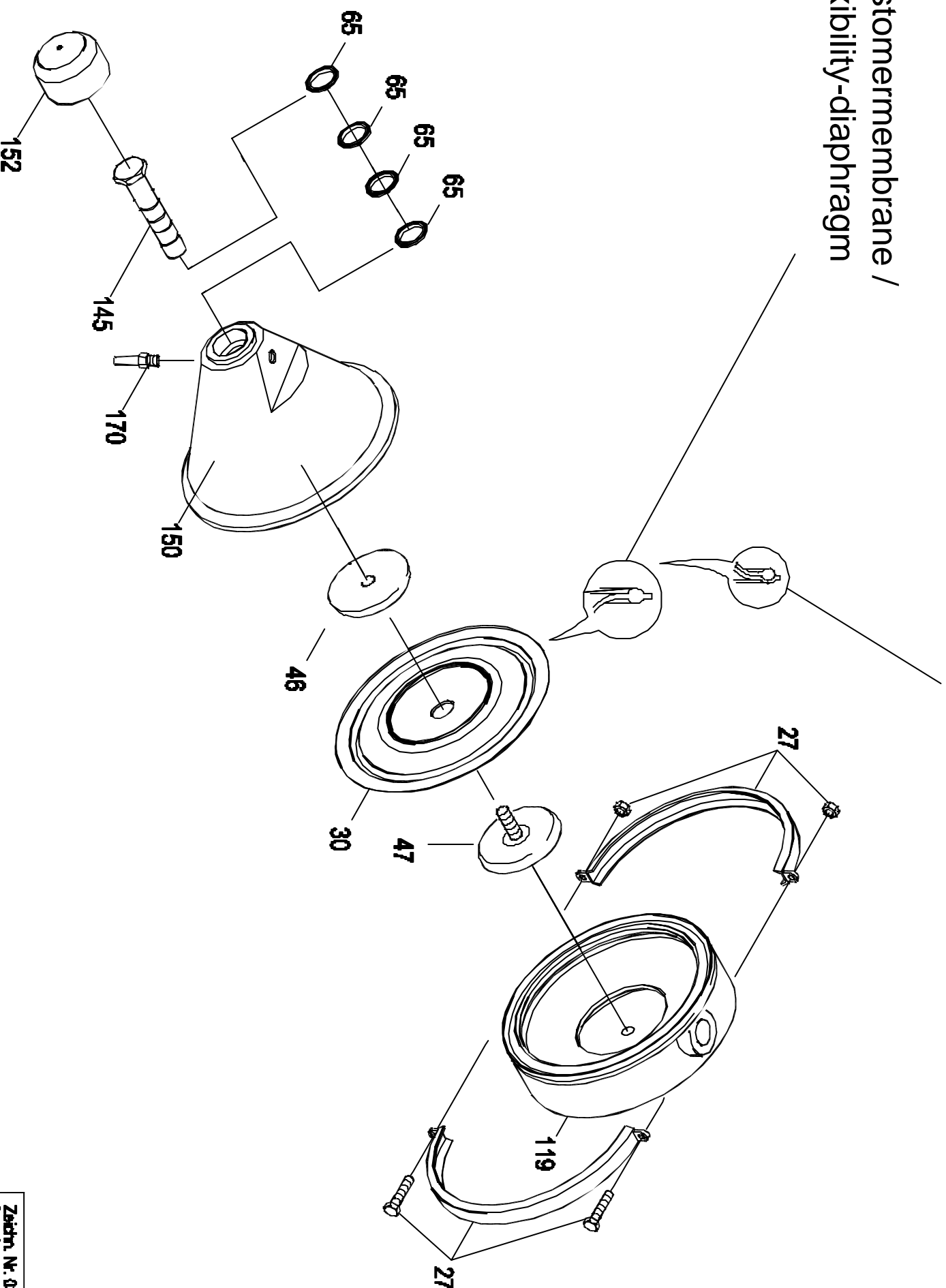


GRANE Process Flow Technologies A Division of OTC Energy	Freimaßtoleranz	Oberfläche	<input type="checkbox"/> Maße werden besonders geprüft. Kanten 1:3x45° gebrochen	
			Maßstab 1:2	Gewicht
	Datum	Berechnung		
	Bearb. 17.18.1999	fz	Pulsationsdämpfer PD25-PT/TL mit Kombiflansch	
	Gepr.			
	Norm		Zeichnungsnummer 03-2225-0003	
	Für diese Zeichnung behält wir uns nach DIN 34 alle Rechte vor		Blatt BK	
Werkstoff	Artikelnummer	Datename 22250113.dwg	Ersatz für	

CAD-Zeichnung! Nur EDV-gestützt bündeln!

PTFE-Membrane /
PTFE-diaphragm

Elastomermembrane /
Flexibility-diaphragm



Zeichn. N.: 03-2215-1001 Drawing no.	Datum 13.06.03 Date
---	------------------------

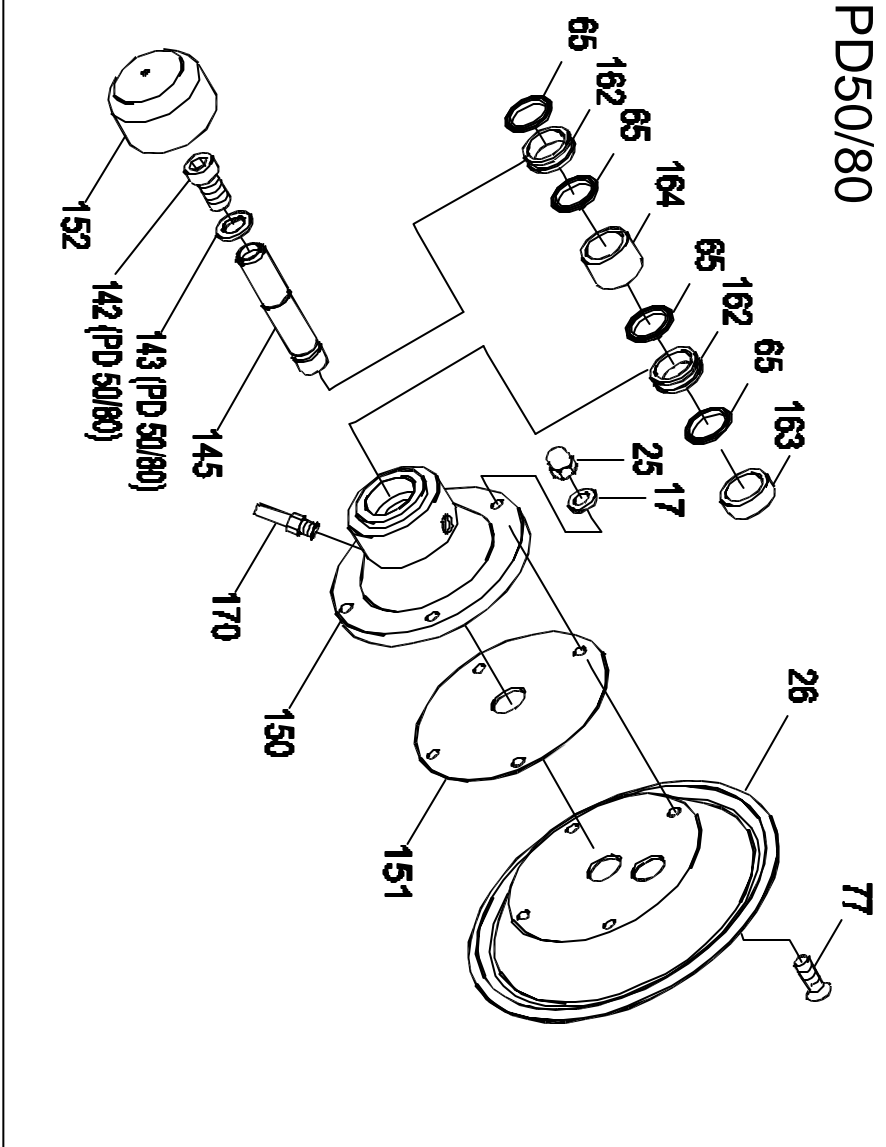
Ersatzteilliste / Explosionszeichnung
Spare Part List / Drawing

Baureihe M / Series M

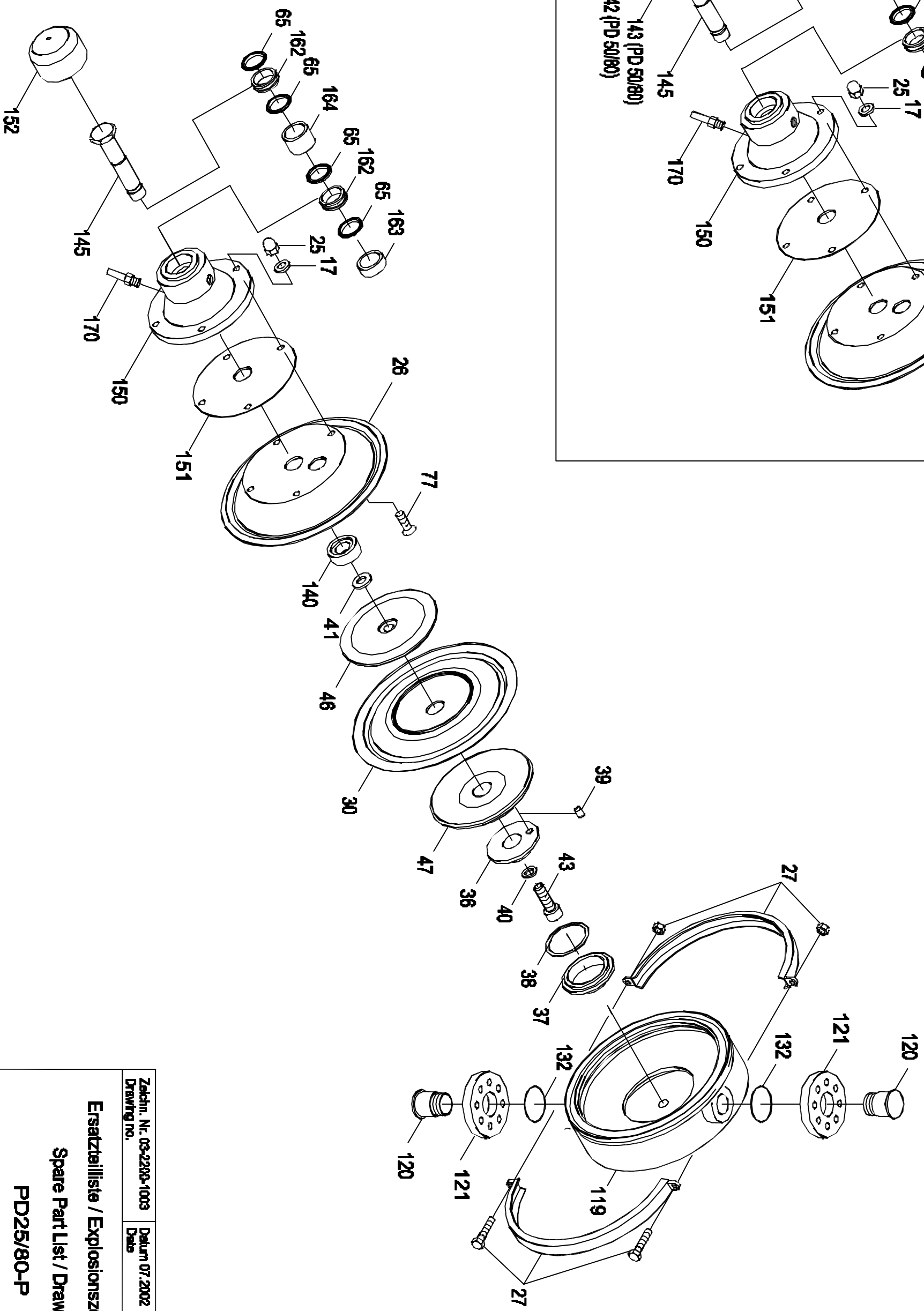
Typ PD15-P

Typ PD15-P

PD50/80

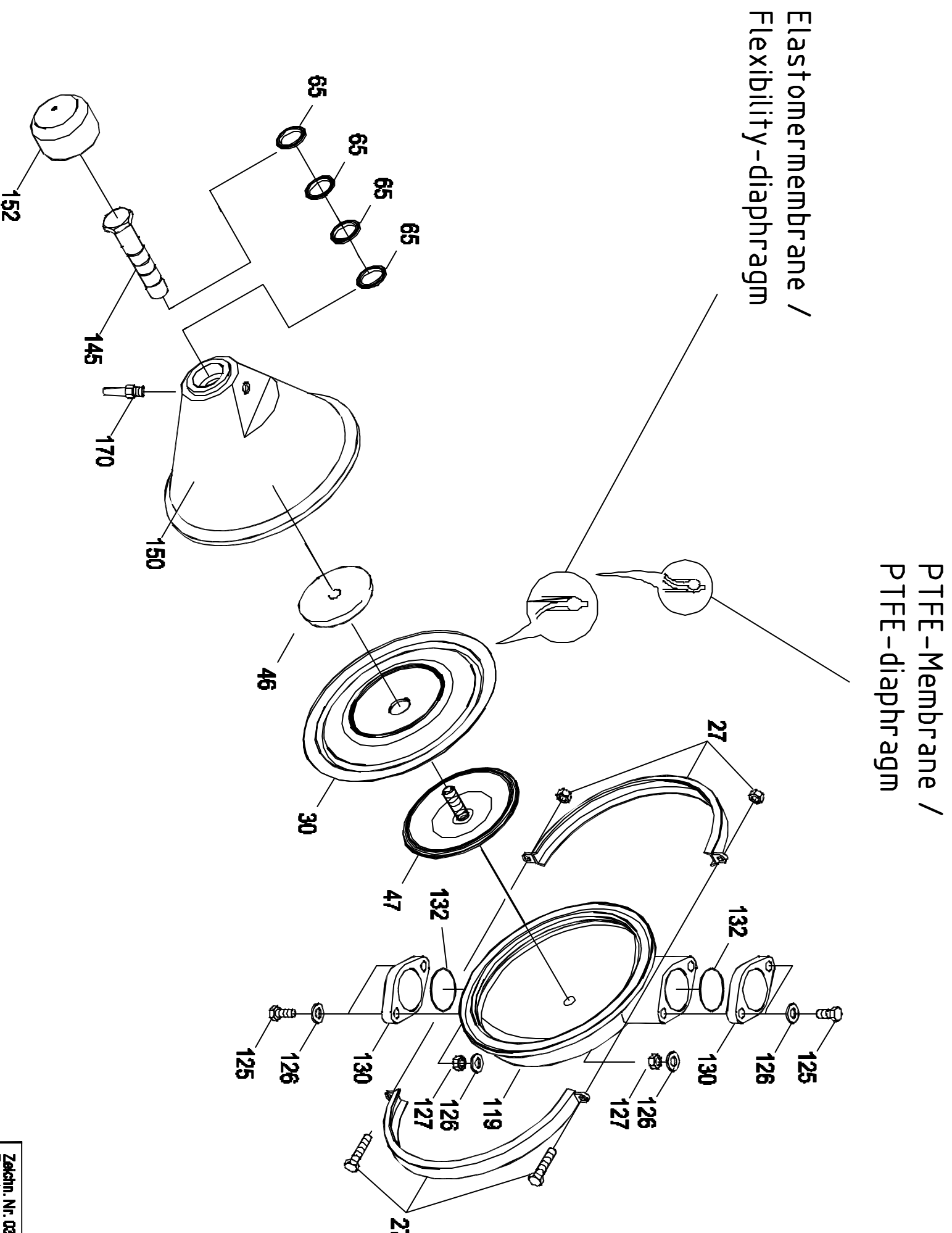


PD25/40



Zeichn. Nr. 03-2200-1003 Datum 07.2002
 Drawing no. Date

Ersatzteilliste / Explosionszeichnung
 Spare Part List / Drawing
 PD25/80-P



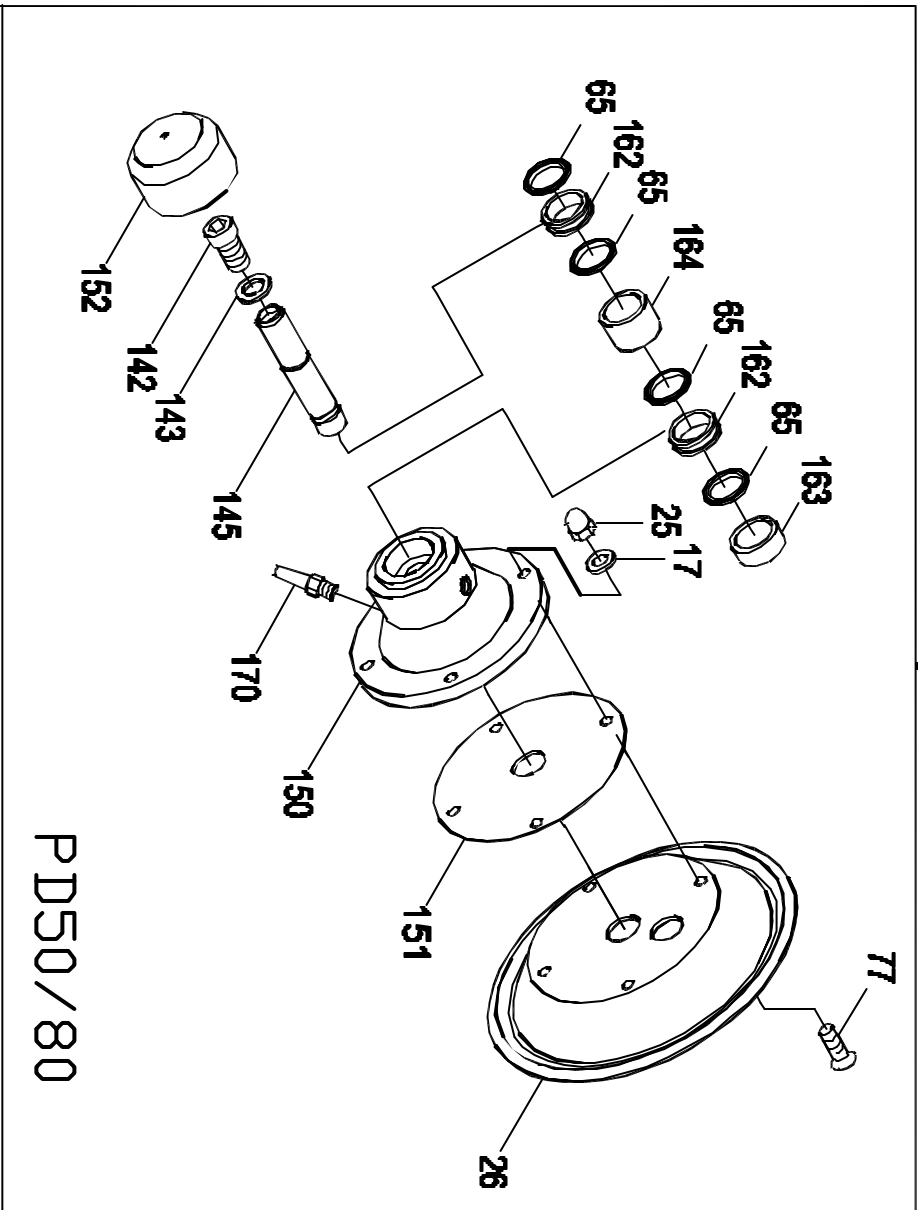
Zeichn. Nr. 03-2115-1001 Datum 13.06.03
 Drawing no. Date

Ersatzteilliste / Explosionszeichnung
 Spare Part List / Drawing

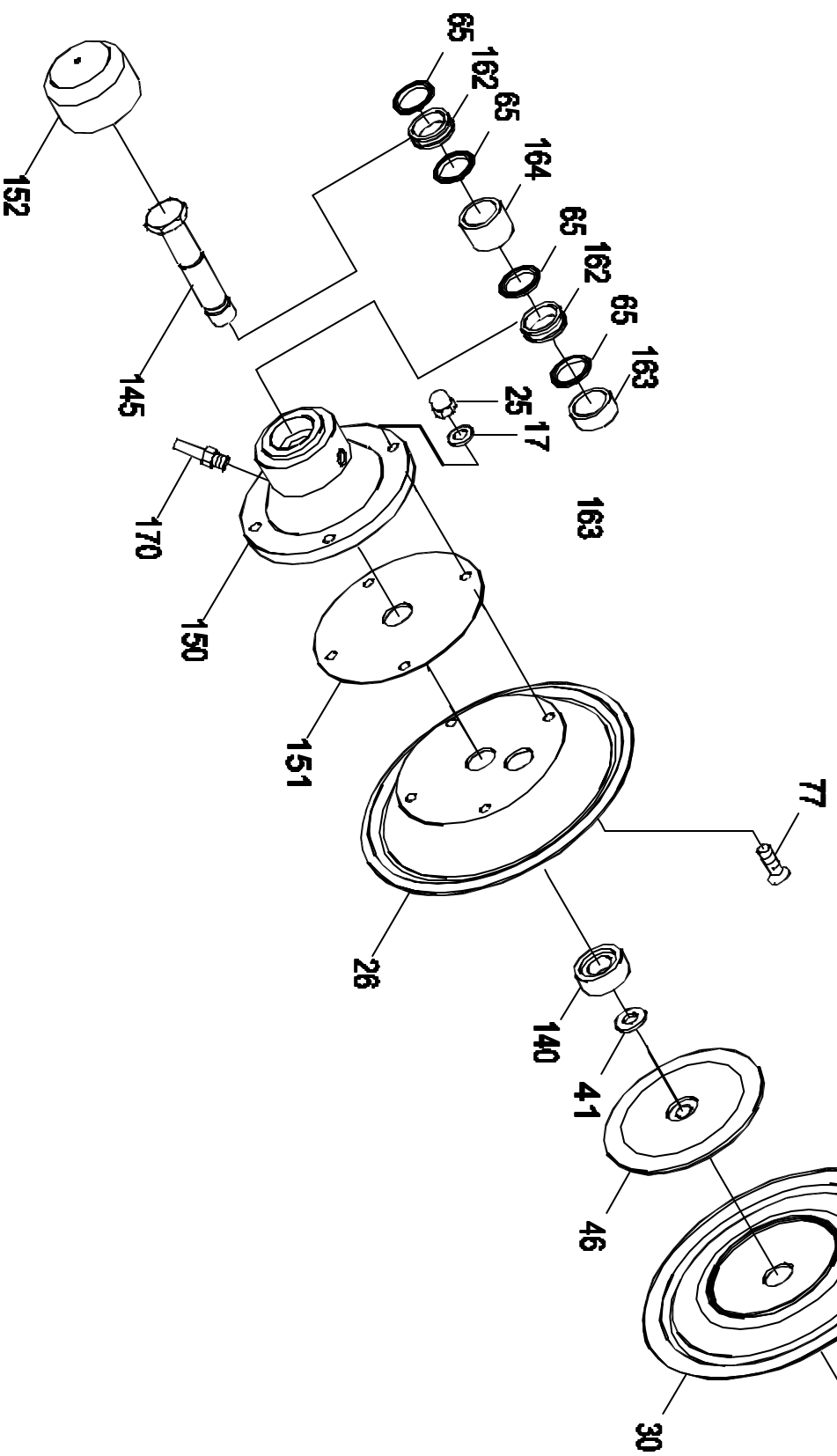
Baureihe M / Series M

Typ PD15-M

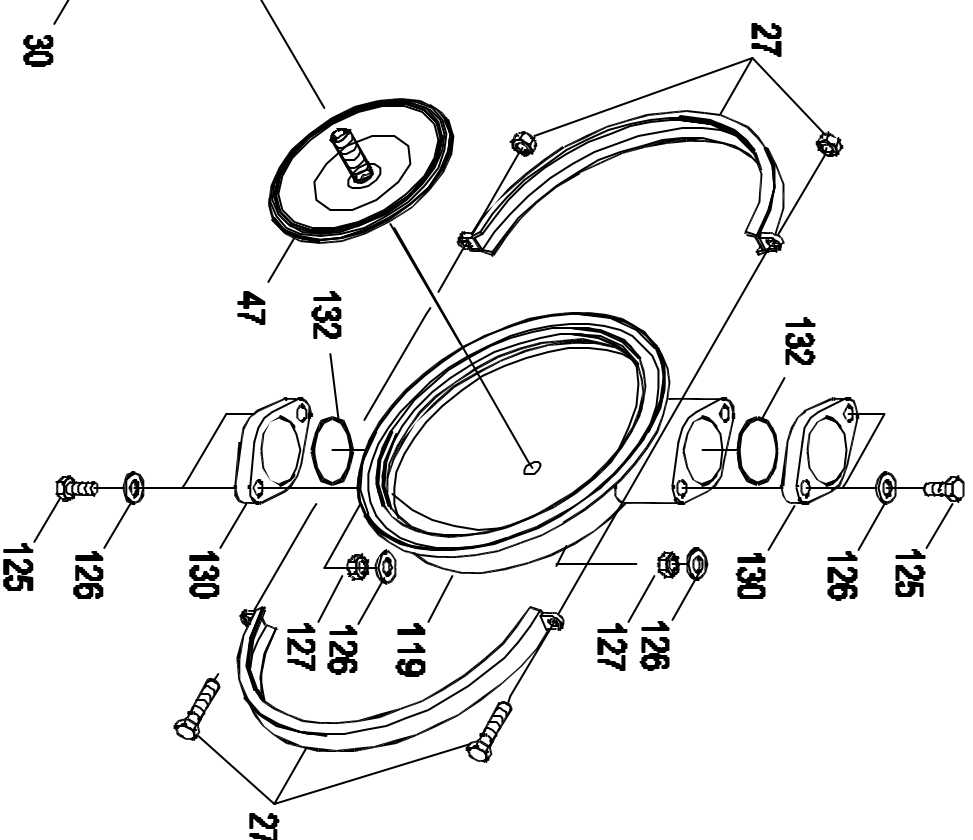
Type PD15-M



PD50/80



PD25/40



Zeichn. Nr. 03-2100-1003 Datum 19.12.2002
 Drawing no. Date

Ersatzteilliste / Explosionszeichnung
 Spare Part List / Drawing

Baureihe M / Series M
 Typ PD25-80-M
 Type PD25-80-M

Spare part list DEPA Pulsationdampener Series P

Date: 23rd July 2003

Type: PD15-P

Drawing-No.: 03-2215-1001

Position	Description	Baugröße / Size	Type	Stück / No. Req.	Bestell-Nr./ Order-No.
15.27	Clamp band assy.	15	Plastic	1	150609---
15.30N	Diaphragm, NBR	15	All*	1	151801-41
15.30E	Diaphragm, EPDM	15	All*	1	151801-42
15.30G	Diaphragm, EPDM-grey	15	All*	1	151801-43
15.30F	Diaphragm, FKM	15	All*	1	151801-44
15.30B	Diaphragm, NRS	15	All*	1	151803-45
15.30TR	Diaphragm, PTFE/Back up	15	All*	2	150180165
15.46	Inner piston	15	PP/PT	1	151208-50
15.46	Inner piston	15	PL/TL	1	151208-07
15.47P	Piston, outer PP	15	PP	1	151211-50
15.47PL	Piston, outer PP-el. cond.	15	PL	1	151211-57
15.47T	Piston, outer PTFE	15	PT	1	151211-65
15.47TL	Piston, outer PTFE-el. cond.	15	TL	1	151211-67
15.65	Sealring with O-ring	15	All	4	150106---
15.119P	Housing, PP	15	PP	1	161010-50
15.119PL	Housing, PP-el. cond.	15	PL	1	161010-57
15.119T	Housing, PTFE	15	PT	1	161010-60
15.119TL	Housing, PTFE-el. cond.	15	TL	1	161010-67
15.145	Shaft	15	All	1	160101-11
15.150	Center block	15	All	1	161101-11
15.152	Cap	15	All	1	161005-50
15.170	Muffler	15-80	All	1	412010-26

The complete spare part number results from
the item and the order-no.

Example:

Diaphragm EPDM for PD15.30E

order no. 151801-42

All* = not PH

Ersatzteilliste DEPA-Pulsationsdämpfer Baureihe P

Datum: 08.04.2003

Typ: PD25-80-P

Zeichnungsnr.: 03-2200-1003

Position	Bezeichnung	Baugröße / Size	Typ	Stück / No. Req.	Bestell-Nr./ Order-No.
25.37P	Membrantellerkappe, PP	25	PP	1	251305-50
25.37PL	Membrantellerkappe, PP-leit.	25	PL	1	251305-57
25.37T	Membrantellerkappe, PTFE	25	PT	1	251305-62
25.37TL	Membrantellerkappe, PTFE-leit.	25	TL	1	251305-67
40.37P	Membrantellerkappe, PP	40	PP	1	401305-50
40.37PL	Membrantellerkappe, PP-leit.	40	PL	1	401305-57
40.37T	Membrantellerkappe, PTFE	40	PT	1	401305-62
40.37TL	Membrantellerkappe, PTFE-leit.	40	TL	1	401305-67
50.37P	Membrantellerkappe, PP	50	PP	1	501305-50
50.37PL	Membrantellerkappe, PP-leit.	50	PL	1	501305-57
50.37T	Membrantellerkappe, PTFE	50	PT	1	501305-62
50.37TL	Membrantellerkappe, PTFE-leit.	50	TL	1	501305-67
80.37P	Membrantellerkappe, PP	80	PP	1	801305-50
25.38F	O-Ring, FKM Membranteller	25	Kunststoff	1	920020744
25.38T	O-Ring, PTFE Membranteller	25	Kunststoff	1	920214-79
40.38F	O-Ring, FKM Membranteller	40	Kunststoff	1	920021044
40.38T	O-Ring, PTFE Membranteller	40	Kunststoff	1	920213-79
50.38F	O-Ring, FKM Membranteller	50	Kunststoff	1	920021444
50.38T	O-Ring, PTFE Membranteller	50	Kunststoff	1	920215-79
80.38F	O-Ring, FKM Membranteller	80	Kunststoff	1	920021544
80.38T	O-Ring, PTFE Membranteller	80	Kunststoff	1	920216-79
25.39P	Justierstift	25	Kunststoff	1	910000111
40.39P	Justierstift	40	Kunststoff	1	910000211
50.39P	Justierstift	50	Kunststoff	1	910000411
80.39P	Justierstift	80	Kunststoff	1	910000311
25.40	Federring	25-40	Alle	1	902100109
50.40	Federring	50-80	Alle	1	902100209
25.41	Scheibe, Kolbenstange	25-40	Alle	1	902000405
50.41	Scheibe, Kolbenstange	50-80	Alle	1	902000505
25.43P	Zylinderschraube	25	Alle	1	900210191
40.43P	Zylinderschraube	40	Alle	1	900210291
50.43P	Zylinderschraube	50	Alle	1	900210391
80.43P	Zylinderschraube	80	Alle	1	900210491
25.46	Membranteller, Innen	25	Alle	1	251208-30
40.46	Membranteller, Innen	40	Alle	1	401208-30
50.46	Membranteller, Innen	50	Alle	1	501208-30
80.46	Membranteller, Innen	80	Alle	1	801208-30
25.47P	Membrantellergehäuse, PP	25	PP	1	251303-50
25.47PL	Membrantellergehäuse, PP-leit.	25	PL	1	251303-57
25.47T	Membrantellergehäuse, PTFE	25	PT	1	251303-62

Ersatzteilliste DEPA-Pulsationsdämpfer Baureihe P

Datum: 08.04.2003

Typ: PD25-80-P

Zeichnungsnr.: 03-2200-1003

Position	Bezeichnung	Baugröße / Size	Typ	Stück / No. Req.	Bestell-Nr./ Order-No.
25.47TL	Membrantellergehäuse, PTFE-leit.	25	TL	1	251303-67
40.47P	Membrantellergehäuse, PP	40	PP	1	401303-50
40.47PL	Membrantellergehäuse, PP-leit.	40	PL	1	401303-57
40.47T	Membrantellergehäuse, PTFE	40	PT	1	401303-62
40.47TL	Membrantellergehäuse, PTFE-leit.	40	TL	1	401303-67
50.47P	Membrantellergehäuse, PP	50	PP	1	501303-50
50.47PL	Membrantellergehäuse, PP-leit.	50	PL	1	501303-57
50.47T	Membrantellergehäuse, PTFE	50	PT	1	501303-62
50.47TL	Membrantellergehäuse, PTFE-leit.	50	TL	1	501303-67
80.47P	Membrantellergehäuse, PP	80	PP	1	801303-50
25.65	Mantelring mit O-Ring	25-80	Alle	4	250106---
50.65	Mantelring mit O-Ring	50-80	Alle	4	500106---
25.77	Senkkopfschraube	25-40	Alle außer L	4	900300191
50.77	Senkkopfschraube	50	Alle außer L	4	900300291
80.77	Sechskantschraube	80	Alle außer L	4	900110891
80.77a	Unterlegscheibe	80	Alle außer L	4	902000305
25.119P	Gehäuse, PP, mit Flansch DIN2501	25	PP	1	261016-50
25.119P	Gehäuse, PP, mit Kombiflansch	25	PP	1	261017-50
25.119P	Gehäuse, PP, mit Japanflansch	25	PP	1	261018-50
25.119PL	Gehäuse, PP-leit., mit Flansch DIN2501	25	PL	1	261016-57
25.119PL	Gehäuse, PP-leit., mit Kombiflansch	25	PL	1	261017-57
25.119PL	Gehäuse, PP-leit., mit Japanflansch	25	PL	1	261018-57
25.119T	Gehäuse, PTFE	25	PT	1	261010-60
25.119TL	Gehäuse, PTFE leit.	25	TL	1	261010-67
40.119P	Gehäuse, PP, mit Flansch DIN2501	40	PP	1	411015-50
40.119P	Gehäuse, PP, mit Kombiflansch	40	PP	1	411016-50
40.119P	Gehäuse, PP, mit Japanflansch	40	PP	1	411017-50
40.119PL	Gehäuse, PP-leit. mit Flansch DIN2501	40	PL	1	411015-57
40.119PL	Gehäuse, PP-leit. mit Kombiflansch	40	PL	1	411016-57
40.119PL	Gehäuse, PP-leit. mit Japanflansch	40	PL	1	411017-57
40.119T	Gehäuse, PTFE	40	PT	1	411010-62
40.119TL	Gehäuse, PTFE leit.	40	TL	1	411010-67
50.119P	Gehäuse, PP, mit Flansch DIN2501	50	PP	1	511016-50
50.119P	Gehäuse, PP, mit Kombiflansch	50	PP	1	511017-50
50.119P	Gehäuse, PP, mit Japanflansch	50	PP	1	511018-50
50.119PT	Gehäuse, PTFE	50	PT	1	511010-60
50.119TL	Gehäuse, PTFE leit.	50	TL	1	511010-67
80.119P	Gehäuse, PP, mit Flansch DIN2501	80	PP	1	811012-50
80.119P	Gehäuse, PP, mit Kombiflansch	80	PP	1	811013-50
80.119P	Gehäuse, PP, mit Japanflansch	80	PP	1	811014-50

Ersatzteilliste DEPA-Pulsationsdämpfer Baureihe P

Datum: 08.04.2003

Typ: PD25-80-P

Zeichnungsnr.: 03-2200-1003

Position	Bezeichnung	Baugröße / Size	Typ	Stück / No. Req.	Bestell-Nr./ Order-No.
25.120T	Stutzen	25	PT	2	261603-60
25.120TL	Stutzen	25	TL	2	261603-67
40.120T	Stutzen	40	PT	2	411603-62
40.120TL	Stutzen	40	TL	2	411603-67
50.120T	Stutzen	50	PT	2	511603-60
50.120TL	Stutzen	50	TL	2	511603-67
25.121	Flansch DIN 2501	25	PT/TL	2	931101-54
25.121	Kombiflansch	25	PT/TL	2	931001-15
25.121	Japanflansch	25	PT/TL	2	931201-13
40.121	Flansch DIN 2501	40	PT/TL	2	931102-54
40.121	Kombiflansch	40	PT/TL	2	931002-15
40.121	Japanflansch	40	PT/TL	2	931202-13
50.121	Flansch DIN 2501	50	PT/TL	2	931103-54
50.121	Kombiflansch	50	PT/TL	2	931003-15
50.121	Japanflansch	50	PT/TL	2	931203-13
25.132	O-Ring	25	PT/TL	2	920202-79
40.132	O-Ring	40	PT/TL	2	920203-79
50.132	O-Ring	50	PT/TL	2	920206-79
25.140	Distanzstück	25-40	Alle	1	410102-11
50.140	Distanzstück	50	Alle	1	510102-11
80.140	Distanzstück	80	Alle	1	810102-11
50.142	Zylinderschraube	50/80	Alle	1	900210591
50.143	Scheibe	50/80	Alle	1	902000505
25.145	Kolbenstange	25	Alle	1	260101-11
40.145	Kolbenstange	40	Alle	1	410101-11
50.145	Kolbenstange	50	Alle	1	510101-11
80.145	Kolbenstange	80	Alle	1	810101-11
25.150	Steuerblock	25/40	Alle	1	411001-21
50.150	Steuerblock	50/80	Alle	1	811001-21
25.151	Flachdichtung	25/40	Alle	1	921031-70

Ersatzteilliste DEPA-Pulsationsdämpfer Baureihe P

Datum: 08.04.2003

Typ: PD25-80-P

Zeichnungsnr.: 03-2200-1003

Position	Bezeichnung	Baugröße / Size	Typ	Stück / No. Req.	Bestell-Nr./ Order-No.
50.151	Flachdichtung	50/80	Alle	1	921032-70
25.152	Kappe	25/80	Alle	1	411005-50
25.162	Laternenring	25/40	Alle	2	410105-64
50.162	Laternenring	50/80	Alle	2	810105-64
25.163	Lagerring	25/40	Alle	1	410106-64
50.163	Lagerring	50/80	Alle	1	810106-64
25.164	Hauptlagerbuchse	25/40	Alle	1	410107-64
50.164	Hauptlagerbuchse	50/80	Alle	1	810107-64
25.170	Schalldämpfer	25/80	Alle	1	412010-26

Die komplette Ersatzteilnummer ergibt sich
aus Kombination von Baugröße und Pos.-Nr.

Beispiel:

Membrane aus EPDM für PD25.30E

Bestell-Nr. 251801-42

Alle * = nicht PH

Spare part list DEPA Pulsationdampener Series M

Date: 23rd July 2003

Type: PD15-M

Drawing-No.: 03-2115-1001

Position	Description	Baugröße / Size	Type	Stück / No. Req.	Bestell-Nr./ Order-No.
15.27	Clamp band assy.	15	Cast metal	1	150402---
15.30N	Diaphragm, NBR	15	All*	1	151801-41
15.30E	Diaphragm, EPDM	15	All*	1	151801-42
15.30G	Diaphragm, EPDM-grey	15	All*	1	151801-43
15.30F	Diaphragm, FKM	15	All*	1	151801-44
15.30B	Diaphragm, NRS	15	All*	1	151803-45
15.30TR	Diaphragm, PTFE/Back up	15	All*	1	150180165
15.46	Inner piston	15	FA/SA	1	151208-50
15.47	Piston, outer S.C.	15	FA/SA	1	151214-13
15.65	Sealring with O-ring	15	All	4	150106---
15.119FA	Housing, Alu	15	FA	1	151505-30
15.119SA	Housing, 316L	15	SA	1	151505-35
15.125	Hex. Screw, C.S	15	FA	4	900100191
15.125V	Hex. Screw, SS	15	SA	4	900150111
15.126	Washer, C.S.	15	FA	8	902000105
15.126V	Washer, SS	15	SA	8	902001311
15.127	Nut, C.S.	15	FA	4	901000191
15.127V	Nut, SS	15	SA	4	901000311
15.130FA	adapter, Alu	15	FA	2	161002-21
15.130SA	adapter, 316L	15	SA	2	
15.132	O-ring, FKM	15	All	2	920023644
15.145	Shaft	15	All	1	160101-11
15.150	Center block	15	All	1	161101-11
15.152	Cap	15	All	1	161005-50
15.170	Muffler	15-80	All	1	412010-26

The complete spare part number results from
the item and the order-no.

Example:

Diaphragm EPDM for PD15.30E

order no. 151801-42

All* = not PH

Ersatzteilliste DEPA-Pulsationsdämpfer Baureihe M

Datum: 18.12.2002

Typ: PD25-80-M

Zeichnungsnr.: 03-2100-1003

Position	Bezeichnung	Baugröße / Size	Typ	Stück / No. Req.	Bestell-Nr./ Order-No.
50.46	Membranteller, Innen	50	Alle	1	501208-30
80.46	Membranteller, Innen	80	Alle	1	801208-30
25.47	Membranteller, St, außen	25	FA/CA	1	251211-00
25.47V	Membranteller, 316L, außen	25	SA	1	251214-13
40.47	Membranteller, St, außen	40	FA/CA	1	401211-00
40.47V	Membranteller, 316L, außen	40	SA	1	401214-13
50.47	Membranteller, St, außen	50	FA/CA	1	501211-00
50.47V	Membranteller, 316L, außen	50	SA	1	501214-13
80.47	Membranteller, St, außen	80	FA/CA	1	801211-00
80.47V	Membranteller, 316L, außen	80	SA	1	801214-13
25.65	Mantelring m. O-Ring	25-40	Alle	4	250106---
50.65	Mantelring m. O-Ring	50-80	Alle	4	500106---
25.77	Senkkopfschraube	25-40	Alle	4	900300191
50.77	Senkkopfschraube	50	Alle	4	900300291
80.77	Sechskantschraube	80	Alle	4	900110891
80.77a	Unterlegscheibe	80	Alle	4	902000305
25.119A	Pulsationsdämpfergehäuse, Alu	25	FA	1	251505-30
25.119C	Pulsationsdämpfergehäuse, GGG 40	25	CA	1	251505-32
25.119S	Pulsationsdämpfergehäuse, 316L	25	SA	1	251505-35
40.119A	Pulsationsdämpfergehäuse, Alu	40	FA	1	401505-30
40.119C	Pulsationsdämpfergehäuse, GGG 40	40	CA	1	401505-32
40.119S	Pulsationsdämpfergehäuse, 316L	40	SA	1	401505-35
50.119A	Pulsationsdämpfergehäuse, Alu	50	FA	1	501505-30
50.119C	Pulsationsdämpfergehäuse, GGG 40	50	CA	1	501505-32
50.119S	Pulsationsdämpfergehäuse, 316L	50	SA	1	501505-35
80.119A	Pulsationsdämpfergehäuse, Alu	80	FA	1	801505-30
80.119C	Pulsationsdämpfergehäuse, GGG 40	80	CA	1	801505-32
80.119S	Pulsationsdämpfergehäuse, 316L	80	SA	1	801505-35
25.125	Sechskantschraube, VA	25	FA/CA/SA	4	900100411
40.125	Sechskantschraube, St	40	FA/CA	4	900110291
40.125V	Sechskantschraube, VA	40	SA	4	900151111
50.125	Sechskantschraube, St	50	FA/CA	4	900110391
50.125V	Sechskantschraube, VA	50	SA	4	900110311
80.125	Sechskantschraube, VA	80	FA/CA/SA	4	900163511
25.126	U-Scheibe, VA	25	FA/CA/SA	8	902001311
40.126	U-Scheibe, St	40	FA/CA	8	902000205
40.126S	U-Scheibe, VA	40	SA	8	902001411
50.126	U-Scheibe, St	50	FA/CA	8	902000305
50.126S	U-Scheibe, VA	50	SA	8	902001111
17.05	U-Scheibe, VA	80	FA/CA/SA	8	902001511

Ersatzteilliste DEPA-Pulsationsdämpfer Baureihe M

Datum: 18.12.2002

Typ: PD25-80-M

Zeichnungsnr.: 03-2100-1003

Position	Bezeichnung	Baugröße / Size	Typ	Stück / No. Req.	Bestell-Nr./ Order-No.
25.127	Sechskantmutter, St	25	FA/CA	4	901000191
25.127V	Sechskantmutter, VA	25	SA	4	901000311
25.127	Sechskantmutter, St	40	FA/CA	4	901000291
25.127V	Sechskantmutter, VA	40	SA	4	901000111
50.127	Sechskantmutter, St	50	FA/CA	4	901000391
50.127V	Sechskantmutter, VA	50	SA	4	901000211
80.127	Sechskantmutter, St	80	FA/CA	4	901000491
80.127V	Sechskantmutter, VA	80	SA	4	901000411
25.130FA	Adapter, Alu	25	FA	2	261002-21
25.130CA	Adapter, St	25	CA	2	261002-00
25.130SA	Adapter, VA	25	SA	2	261002-15
40.130FA	Adapter, Alu	40	FA	2	411003-21
40.130CA	Adapter, St	40	CA	2	411003-00
40.130SA	Adapter, VA	40	SA	2	411003-15
50.130FA	Adapter, Alu	50	FA	2	511001-21
50.130CA	Adapter, St	50	CA	2	511001-00
50.130SA	Adapter, VA	50	SA	2	511001-15
80.130FA	Adapter, Alu	80	FA	2	811002-21
80.130CA	Adapter, St	80	CA	2	811002-00
80.130SA	Adapter, VA	80	SA	2	811002-15
25.132	O-Ring, FKM	25	Alle	2	920023744
25.132T	O-Ring, FEP	25	Alle	2	920225-79
40.132	O-Ring, FKM	40	Alle	2	920023844
40.132T	O-Ring, FEP	40	Alle	2	920224-79
50.132	O-Ring, FKM	50	Alle	2	920024044
50.132T	O-Ring, FEP	50	Alle	2	920226-79
80.132	O-Ring, FKM	80	Alle	2	920024144
80.132T	O-Ring, FEP	80	Alle	2	920227-79
25.140	Distanzstück	25-40	Alle	1	410102-11
50.140	Distanzstück	50	Alle	1	510102-11
80.140	Distanzstück	80	Alle	1	810102-11
50.142	Zylinderschraube	50-80	Alle	1	900210591
50.143	Scheibe	50-80	Alle	1	902000505
25.145	Kolbenstange	25	Alle	1	260101-11
40.145	Kolbenstange	40	Alle	1	410101-11
50.145	Kolbenstange	50	Alle	1	510101-11
80.145	Kolbenstange	80	Alle	1	810101-11
25.150	Steuerblock	25-40	Alle	1	411001-21
50.150	Steuerblock	50-80	Alle	1	811001-21
25.151	Flachdichtung	25-40	Alle	1	921031-70

Ersatzteilliste DEPA-Pulsationsdämpfer Baureihe M

Datum: 18.12.2002

Typ: PD25-80-M

Zeichnungsnr.: 03-2100-1003

Position	Bezeichnung	Baugröße / Size	Typ	Stück / No. Req.	Bestell-Nr./ Order-No.
50.151	Flachdichtung	50-80	Alle	1	921032-70
25.152	Kappe	25-80	Alle	1	411005-50
25.162	Latemenring	25-40	Alle	2	410105-64
50.162	Latemenring	50-80	Alle	2	810105-64
25.163	Lagerring	25-40	Alle	1	410106-64
50.163	Lagerring	50-80	Alle	1	810106-64
25.164	Hauptlagerbuchse	25-40	Alle	1	410107-64
50.164	Hauptlagerbuchse	50-80	Alle	1	810107-64
25.170	Schalldämpfer	25-80	Alle	1	412010-26

Die komplette Ersatzteilnummer ergibt sich
aus Kombination von Baugröße und Pos.-Nr.

Beispiel:

Membrane aus EPDM für PD25.30E

Bestell-Nr. 251801-42

Alle * = nicht PH