

# SOLENOID VALVE TYPE 150

Nominal size DN 10–20

Pressure range 0.0–2.0 bar

## Features

- direct acting thermoplastic valve
- fast switching
- core tube sealed by PTFE bellows
- independent of compressed air supply
- wide area of application

## Additional options on demand

- Atex
- special voltages

[www.asv-stuebbe.com/produkte/armaturen](http://www.asv-stuebbe.com/produkte/armaturen)

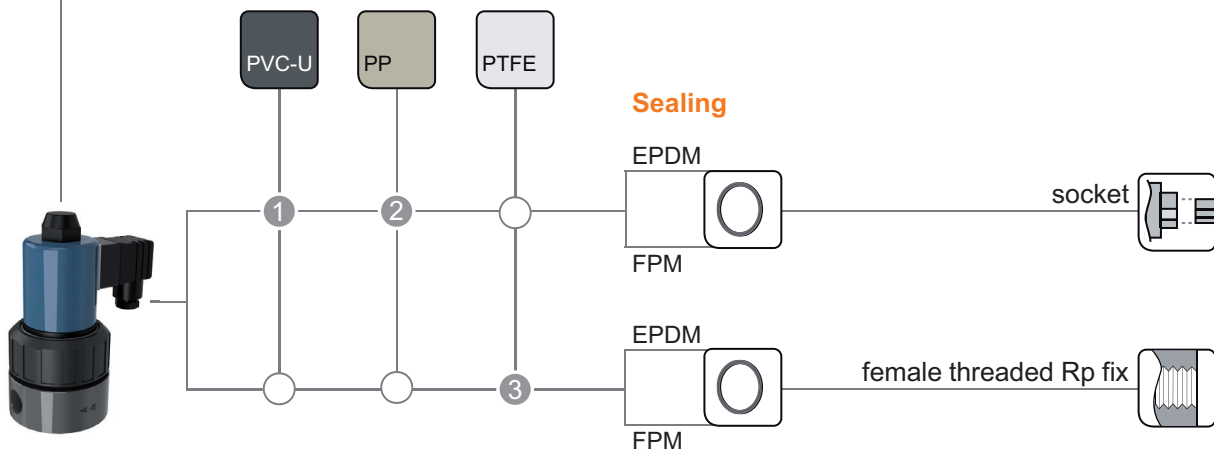


## Pictogram Solenoid Valve Type 150

● **Actuator:**

... NC | NO

... 24 V DC | 230 V, 50 Hz



**Pressure setting range:**

DN 10 0 - 2 bar

DN 15 0 - 1 bar

DN 20 0 - 0,5 bar

● available  
○ not available

**Basic normal size:**

DN 8	<b>DN 10</b>	DN 15	DN 20	DN 25	DN 32	DN 40	DN 50	DN 65	DN 80	DN 100	DN 125	DN 150	DN 200	DN 250	DN 300	DN 350	DN 400
------	--------------	-------	-------	-------	-------	-------	-------	-------	-------	--------	--------	--------	--------	--------	--------	--------	--------

**Connectionmaterial (process connection)**

① **PVC-U** socket **DIN**

② **PP** socket **DIN**

③ **PTFE** female thread Rp fix \*

\* only available DN 10, DN 15

## Solenoid Valve Type 150

### Use

- chemical plant engineering
- industrial plant engineering
- Water treatment

### Application

- Quick-closing, electrically actuated shut-off valve for small flow volumes
- Suitable for high switching frequencies
- for low operating pressures between 0–2 bar

### Functions

- controlled directly, closed when de-energized (NC)
- controlled directly, open when de-energized (NO)
- A solenoid system opens and closes the valve directly. No operating or differential pressure is required. The valve is active from 0 bar.

### Design

- seat valve with PTFE bellows

### Flow medium

- Technically pure, neutral and aggressive fluids, provided that the selected valve materials are resistant at the operating temperature according to the ASV resistance guide.
- Not suitable for use in medium types containing solids.

### ASV-Stübbe resistance guide

- [www.asv-stuebbe.de/pdf\\_resistance/300051.pdf](http://www.asv-stuebbe.de/pdf_resistance/300051.pdf)

### Medium temperature

- PVC-U, PTFE: 0–50 °C
- PP: 10–50 °C

### Operating pressure

- PN 0.0–2.0 bar
- When connected to direct current, the operating pressure is reduced by approx. 20%.
- See graphics „Pressure/temperature diagram“

### Viscosity

- up to approx. 37 mm<sup>2</sup> /s (cSt)

### Housing

- PVC-U, PP, PTFE

### Bellows

- PTFE

### Sealing element

- FPM, EPDM

### Ambient temperature

- 0–50 °C (max.)

### Connection

- PVC-U: socket end for solvent welding
- PP: fusion socket end
- PTFE: female threaded socket

### Connector plug

- according to DIN EN 175301-803, shape A
- for AC with integrated rectifier

### Voltage

- 24 V DC
- 230 V, 50 Hz
- special voltages on request

### Voltage tolerance

- +/-10% according to VDE 0580

### Coil capacity

- 8 Watt

### Power consumption

- 230 V, 50 Hz: 8.5 W
- 24 V DC: 7.5 W

### Duty cycle

- 100 %

### Type of protection

- IP 65 with mounted connector plug
- ATEX II 2 G Ex m II T4 on request

### Mounting position

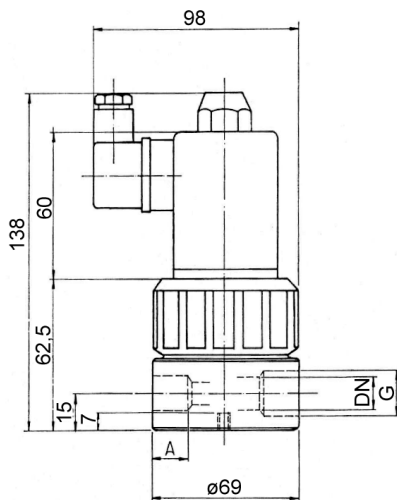
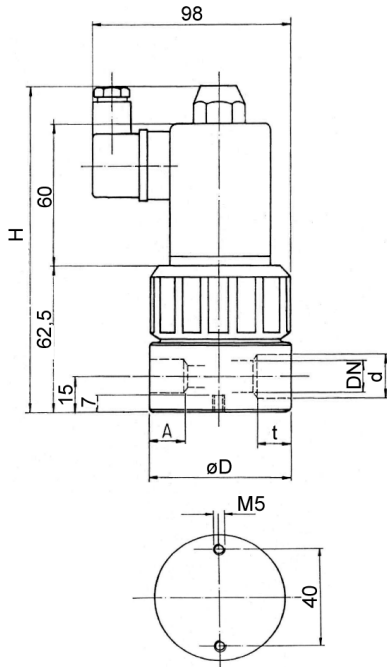
- magnet preferably at the top

### Options

- Special voltages

# Solenoid Valve Type 150

## Connection socket

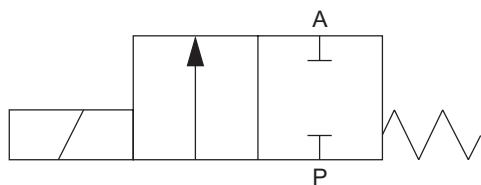


d (mm)		16	16	20	20	25
DN (mm)		10	10	15	15	20
Pressure (bar)		0 - 2	0 - 2	0 - 1	0 - 1	0 - 0.5
A	PVC-U / PP	14	14	16	16	13
	PTFE	13	13	13	13	-
d		-	16.0	-	20.0	25.0
D		69.0	69.0	69.0	69.0	69.0
G*		3/8	-	1/2	-	-
H		138	138	138	138	138

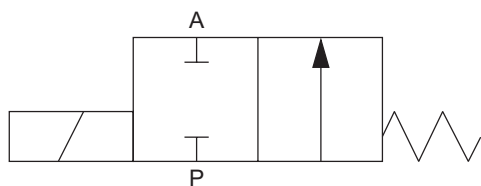
all dimensions in mm / \* dimensions in inch

# Solenoid Valve Type 150

## NC circuit diagram (closed when de-energized)



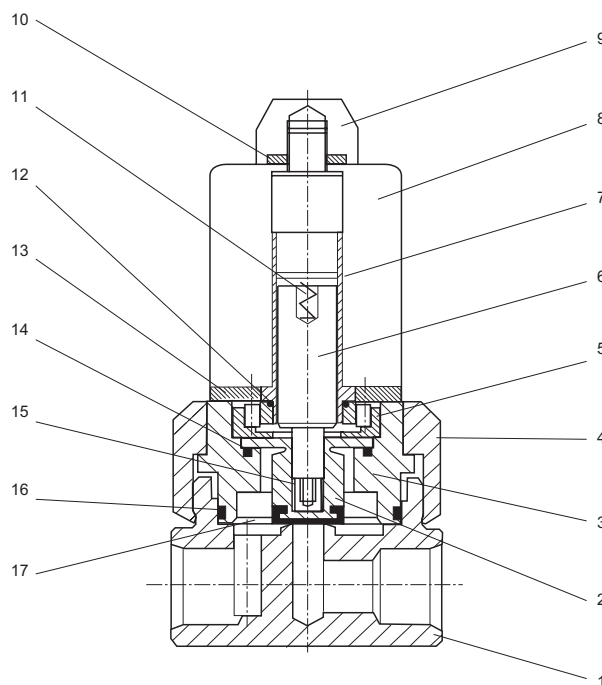
## NO circuit diagram (open when de-energized)



### kv value

DN (mm)	10	15	20
kv (l/mm)	20.7	29.7	53.0

## Components



Position	Quantity	Designation
1	1	valve body
2	1	Bellows
3	1	Intermediate element
4	1	Union nut
5	1	Intermediate ring
6	1	Plunger
7	1	Plunger guide tube
8	1	Magnet coil
9	1	Cap nut
10	1	Flat sealing ring
11	1	Pressure spring
12	1	O-ring
13	1	Flat sealing ring
14	1	O-ring
15	1	Threaded bush
16	1	O-ring
17	2	Seal bonnet