

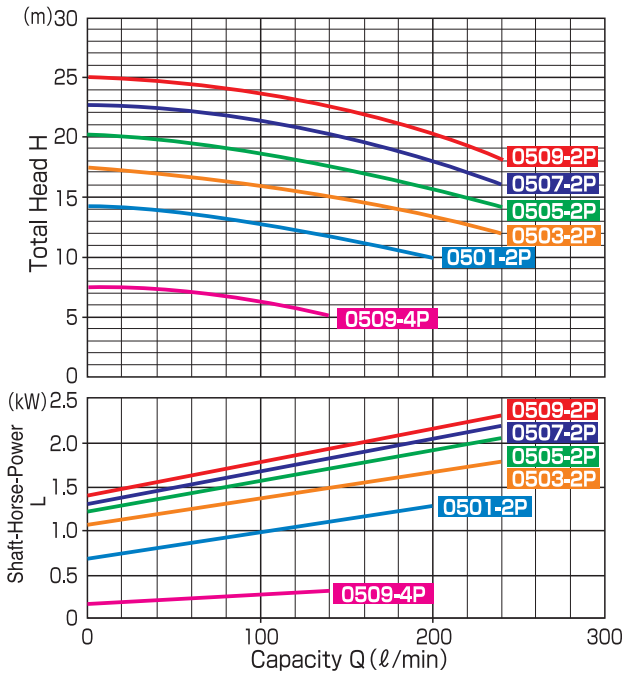
MES-050 Series (Suction 50A×Discharge 40A)



Pump Specifications

- Operating Temperature 0~80℃
- Rotation Direction Clockwise (view from the motor)
- Flange JIS 10K FF (Please consult us about ANSI/DIN standard.)
- Finish Paint Munsell 2.5B4/8(pump body)
- Motor TEXEL Flanged Induction motor / IEC Flanged Induction motor
- Accessories Foundation bolts (M12×160L×50b)

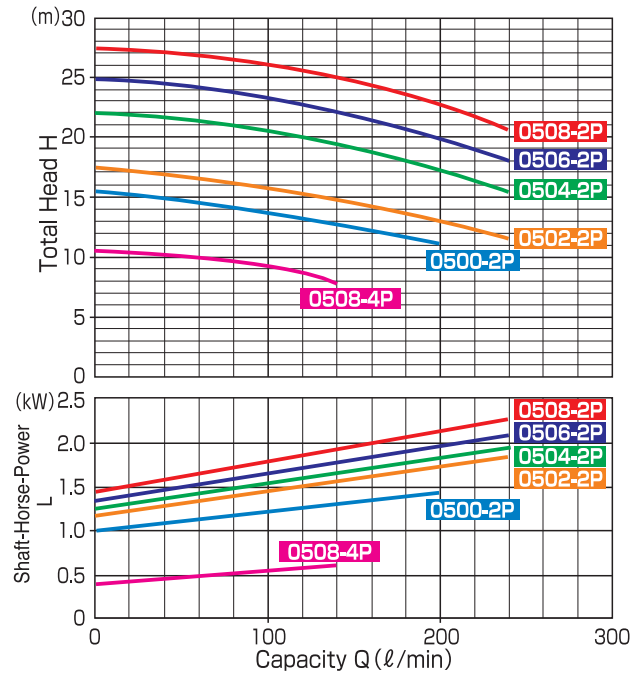
50Hz Capacity Range & Technical Data



Model	Capacity (ℓ/min)	Total Head (m)	NPSH Re (m)	Motor Output (kW)
MES-0501-2P	200	10	1.8	0.75~2.2
MES-0503-2P		13		
MES-0505-2P		15		
MES-0507-2P		18		
MES-0509-2P		20		
MES-0509-4P	100	6	1.0	0.4 · 0.75

Note : Only 0.4kW (4 pole) is provided for Texel Flanged Motor.

60Hz Capacity Range & Technical Data



Model	Capacity (ℓ/min)	Total Head (m)	NPSH Re (m)	Motor Output (kW)
MES-0500-2P	200	10	2.5	0.75~2.2
MES-0502-2P		13		
MES-0504-2P		15		
MES-0506-2P		18		
MES-0508-2P		20		
MES-0508-4P	100	9	1.5	0.75

Note : Only 0.4kW (4 pole) is provided for Texel Flanged Motor.

Pump Identification

MES - 050 0 F 01 A S F 4
 ① ② ③④ ⑤ ⑥ ⑦⑧⑨

- ① Model ② Suction Size
- ③ Model Number Please refer to Performance Curve
- ④ O-ring material
F : FPM E : EPDM Z : Other
- ⑤ Motor Output
00 : 0.4kW 01 : 0.75kW 02 : 1.5kW 03 : 2.2kW
- ⑥ Pump Body Material

Type	Tank	Casing	Impeller	Inner Magnet	Rear Casing
A	PP				C-PVDF
P	PVDF				
Z	Other Combinations or Special Option				

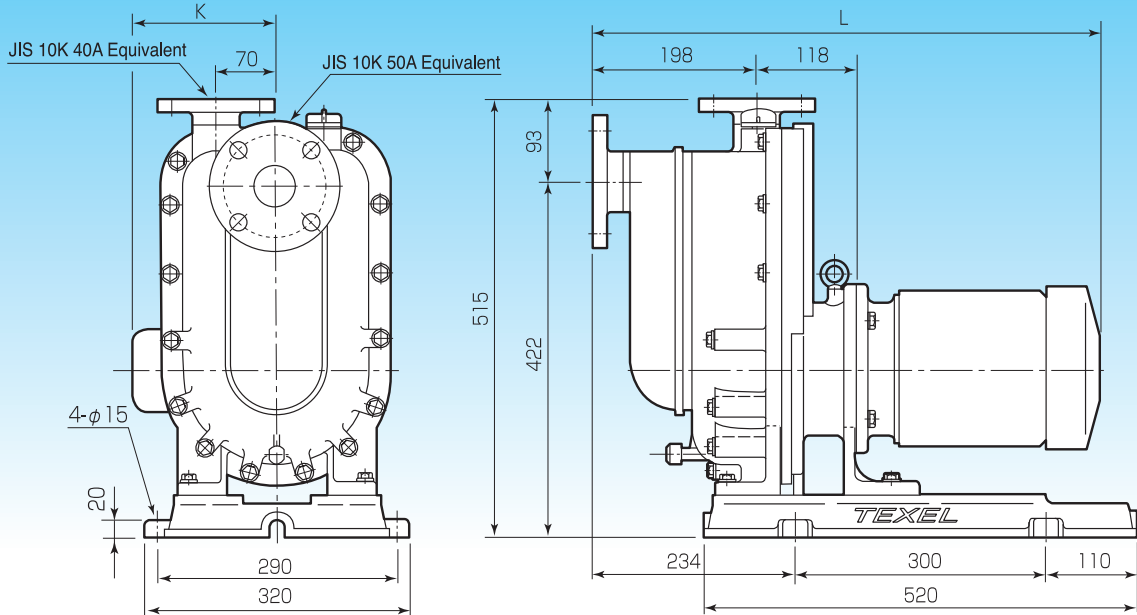
- ⑦ Motor Type
S:TEFC/outdoor Texel motor A:Safety-proof (eG3) Texel motor
T:IEC standard explosion-proof (d2G4) motor C : OtherParts

⑧ Material Combination

Type	Shaft	Front Thrust Ring	Rear Thrust Ring	Mouth Ring	Bearing
A		Al·Ceramic			C-PTFE
B		SiC			
C			SiC		Carbon
E			SiC		C-PTFE
F(Standard)		Al·Ceramic			Carbon
G			Al·Ceramic		G-PTFE
Z	Other Combinations or Special Option				

⑨ Number of Pole Shown only for 4-pole.

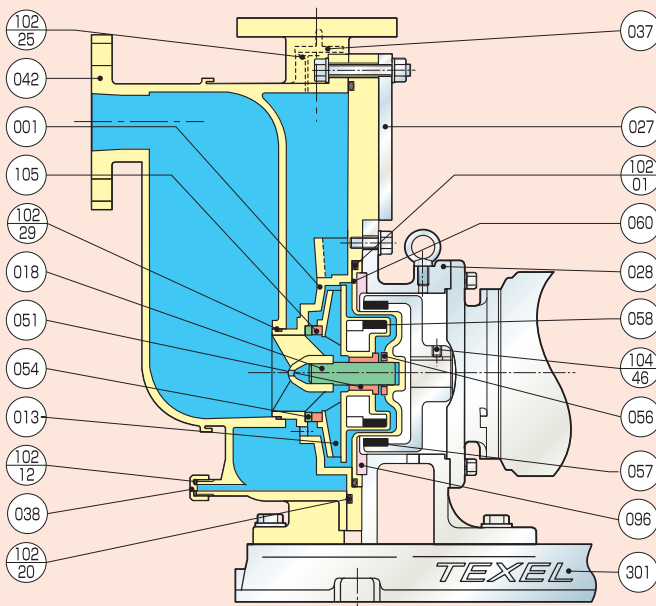
Dimensions



Motor Output (kW)	TEFC		eG3		Weight (kg)
	K	L	K	L	
0.4	147	541	150	550	(41)
0.75	161	559	169	559	
1.5	176	585	183	585	
2.2	176	605	205	616	

- Note : ① In indicates (shows) a numeral of parenthesis is reference value.
 ② Only the above dimensional is provided for TEFC(2 Pole).
 Please consult us when you use special motor (eG3, d2G4, etc).
 ③ Only the above dimensional is provided for Texel Moter.

Construction Diagram



No.	Part Name	Materials
001	Casing	PP / PVDF
013	Impeller	PP / PVDF
018	Shaft	Alumina-ceramic/SiC
027	Casing Support	FC200
028	Bracket	FC200
037	Air Vent Plug	PP / PVDF
038	Drain Plug	PP / PVDF
042	Tank	PP / PVDF
051	Bearing	C-PTFE / SiC / Cabon / G-PTFE
054	Front Thrust Ring	Alumina-ceramic / SiC
056	Rear Thrust Ring	Alumina-ceramic / SiC
057	Outer Magnet	Rare Earth
058	Inner Magnet	Rare Earth
060	Rear Casing	C-PVDF
096	Bracket Ring	SS400
102-01	O-ring(Casing)	FPM / EPDM
102-12	O-ring(Drain Plug)	FPM / EPDM
102-20	O-ring(Tank)	FPM / EPDM
102-25	O-ring(Air Vent Plug)	FPM / EPDM
102-29	O-ring(Suction Flange)	FPM / EPDM
104-46	Outer magnet set screw	SNCM
105	Mouth Ring	C-PTFE / SiC / Cabon / G-PTFE
301	Base	FC200